

UPOS-510 Series

15" 4:3 Modularized POS System
UPOS-510D with Intel® J1900 Processor
UPOS-510F with Intel® Core i3/i5/Celeron Processor



Features

- 15.1" TFT display in LED backlight.
- Flat and borderless front PCAP touch panel design.
- Fanless design for quiet operation.
- Aluminum alloy tower of stand provide the reliable system and able to deploy in small space.
- Clean cable and screwless back design
- Reserved display hatched for peripheral requirement



Introduction

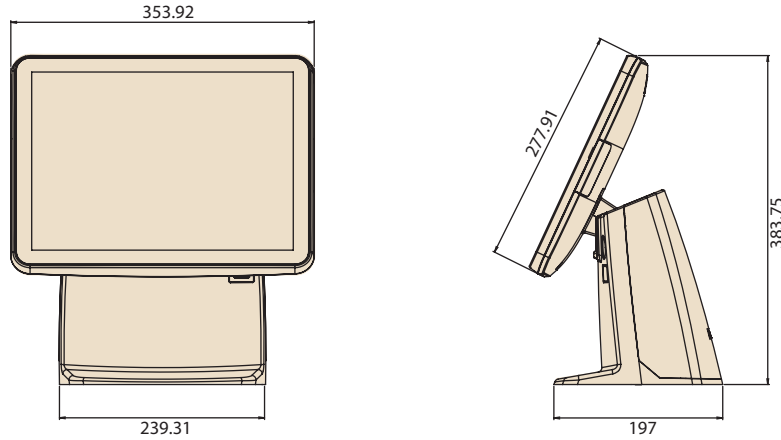
UPOS series is a modern and sleek industrial Point of Sales system. Borderless front touch panel maximizes the viewing area. Aluminum alloy coating stand provides secured support to the display. Small footprint enables the system to be deployed in limited-space scenarios. Snap-in back cover allows quick access to the system and easy maintenance. Front display reserved hatches on the top and both sides, varying the needs to expand peripheral applications.

Specifications

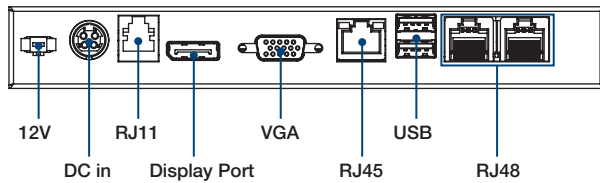
| | | | |
|----------------------------|-----------------------|--|---|
| System | Model | 510D | 510F |
| | CPU | Intel® Celeron® J1900 processor | Intel® Celeron® 3955U/Core™ i5-6300U/Core™ i3-6100U |
| | System Memory | SODIMM x1 (Maximum up to 8GB DDR3L) | SO DIMM x1 (Maximum up to 16GB DDR4-2133) |
| Storage | HDD | 1 x 2.5" SATA HDD/SSD Bay | 1 x 2.5" SATA HDD/SSD Bay(optional 2nd SATA3) |
| | SATA | SATA II (3.0Gb/S) | SATA III (6.0Gb/S) |
| | Expansion | 1 x Full-size mini PCIe (for mSATA/Wi-Fi/BT) | |
| Display | Resolution | 15" TFT LCD (1024 x 768) with LED backlight | |
| | Brightness | 250 cd/ m ² | |
| | Touch Screen | P-Cap Touch | |
| External I/O | Serial Port | 2 x COM (RJ48 with 5V/12V selectable by internal jumper, 1A) | |
| | USB Port | 2 x USB | 1 x USB in front 2 x USB3.0 in IO bay |
| | Video Output | 1 x VGA1 Port (DSUB-15) 1 x Display Port (Reserved for BOX PC) | |
| | Ethernet | 1 x RJ-45 Gigabit Ethernet(10/100/1000) | |
| | Cash Drawer | 1 x RJ11 (12V Default /24V by internal jumper) | |
| | DC In | 4 pin power jack | |
| | DC Out | 12V 2-pin connector for 2nd display | |
| | Speaker | 1 x 2W speakers | |
| | Power Button | Power Switch (LED indicator inside) | |
| | Display Hatch (Top) | VGA for second display | |
| | Display Hatch (Right) | PS/2 + USB | |
| | Display Hatch (Left) | Reserved | |
| | Optional Modules | Adapter | 60W |
| Second Display | | Supports 10.1" TFT LCD/VFD via display hatch (top) Supports 15" TFT LCD via rear pole mount | |
| Peripherals | | <ul style="list-style-type: none"> ▪ MSR ▪ MSR + iButton ▪ MSR + Fingerprint ▪ MSR + RFID ▪ MSR + IC card | |
| Connectivity | | WiFi (802.11 b/g/n) or Bluetooth | |
| Mechanical & Environmental | Color | Black / White / Black+Orange | |
| | Operating Temperature | 0 ~ 40 °C (32 ~ 104 °F) | |
| | Humidity | 10 ~ 95% @ 40 °C, non-condensing | |
| | Certifications | CE/FCC/CCC | |
| Software | OS Support | POSReady 7 / Win 10 IoT Enterprise | |

Dimensions

Unit: mm



IO View



Order Information

| Part Number | Description |
|------------------|--|
| UPOS-510DP-AST00 | Baytrail J1900, P-cap touch, 4G DDR3 RAM, Black, USB x3, COM x2 |
| UPOS-510FP-ACL00 | Skylake-U Celeron 3955U, P-cap touch, 4G DDR4 RAM, Black, USB x3, COM x2 |
| UPOS-510FP-AI300 | Skylake-U Core i3-6100U, P-cap touch, 4G DDR4 RAM, Black, USB x3, COM x2 |
| UPOS-510FP-AI500 | Skylake-U Core i5-6300U, P-cap touch, 4G DDR4 RAM, Black, USB x3, COM x2 |

Thermal Printer

| Peripherals | P/N | Description |
|--|---------------|---|
| Thermal printer USB+ Serial | UPOS-P04-A000 | SLK-TE213, 50-82.5mm, 300mm/s, USB+ Serial |
| Thermal printer USB + Ethernet | UPOS-P04-A001 | SLK-TE213, 50-82.5mm, 300mm/s, USB+ Ethernet |
| Thermal printer USB+ Serial+ Ethernet | UPOS-P04-A002 | SLK-T21EB, 50-82.5mm, 220mm/s, USB+ Serial+ Ethernet |
| Thermal printer USB+ Serial | UPOS-P04-A003 | SLK-TL212, 50-82.5mm, 220mm/s, USB+ Serial |
| Thermal printer USB+ Parallel | UPOS-P04-A004 | SLK-TE213, 50-82.5mm, 300mm/s, USB+ Parallel |

Peripheral

| Peripherals | P/N | Description |
|--------------------------|---------------|---|
| VFD display_ENG/pole | UPOS-P01-A102 | VFD display, ENG, H7cm, pole mount for UPOS-510/UPOS-520 |
| VFD display_CHT/pole | UPOS-P01-A103 | VFD display, CHT, H7cm, pole mount for UPOS-510/UPOS-520 |
| 10.1" 2nd display/rear | UPOS-P02-A100 | 10.1" 2nd display, rear mount for UPOS-510/UPOS-520 |
| 10.1" 2nd display/pole | UPOS-P02-A101 | 10.1" 2nd display, pole mount for UPOS-510 |
| 15" 2nd display | UPOS-P02-A102 | 15" 2nd display, pole mount for UPOS-510 |
| 15" 2nd display w/ p-cap | UPOS-P02-A103 | 15" 2nd display, P-cap touch, , HDMI, VGA, pole mount for UPOS |
| MSR, PS2 | UPOS-P03-A100 | MSR, PS2 for UPOS-510/UPOS-520 |
| MSR, PS2+ibutton | UPOS-P03-A101 | MSR, PS2+ibutton for UPOS-510/ UPOS-520 |
| MSR, PS2+RFID | UPOS-P03-A102 | MSR, PS2+RFID for UPOS-510/ UPOS-520 |
| MSR, PS2+fingerprint | UPOS-P03-A103 | MSR, PS2+fingerprint for UPOS-510/ UPOS-520 |
| MSR, PS2+IC | UPOS-P03-A104 | MSR, PS2+IC card for UPOS-510/ UPOS-520 |
| Cash drawer | UPOS-P06-A000 | Cash drawer for all UPOS series |