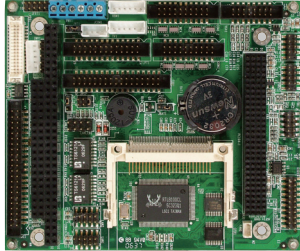


PBE-1100

ETX Carrier Board



ETX



Features

- ETX Carrier Board
- PC/104-Plus Interface
- Analog RGB, LVDS, and TV-out
- 4 x USB Ports, 4 x Serial Ports
- CompactFlash Disk Socket
- **Wide Range Operating Temp.: -40 ~ 85°C**

I/O

Super IO Chipset	Winbond W83977
Serial Port	3 x RS-232 1 x RS-232/422/485 selectable
Parallel Port	SPP/EPP/ECP mode selectable
Keyboard & Mouse	6-pin wafer connector for PS/2 keyboard/ mouse via Y-cable
USB 2.0	4 x USB 2.0 ports
Expansion	PC/104-Plus
Storage	1 x Ultra ATA connectors, 1 x FDD connector, 1 x CF II socket
Ethernet Chipset	1 x by CPU module 1 x Realtek RTL8110SCL PCI GbE controller
Digital I/O	16-bit DIO 8-in/ 8-out
Audio	Mic-in/ Line-in/ Line-out

Display

Graphic Interface	Analog RGB/ DVI: 1 x VGA connector, LCD: 1 x LVDS connector
-------------------	--

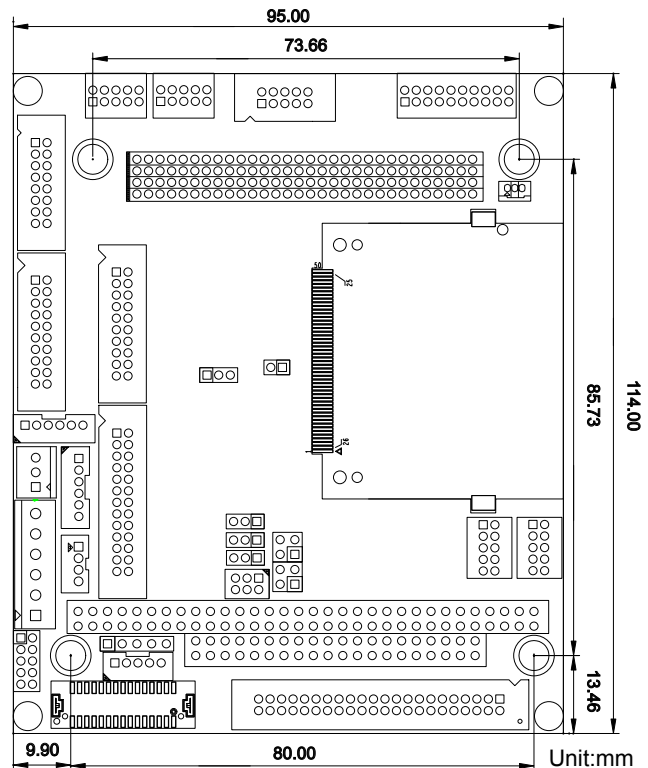
OS Support

Depends on CPU Module

Mechanical & Environmental

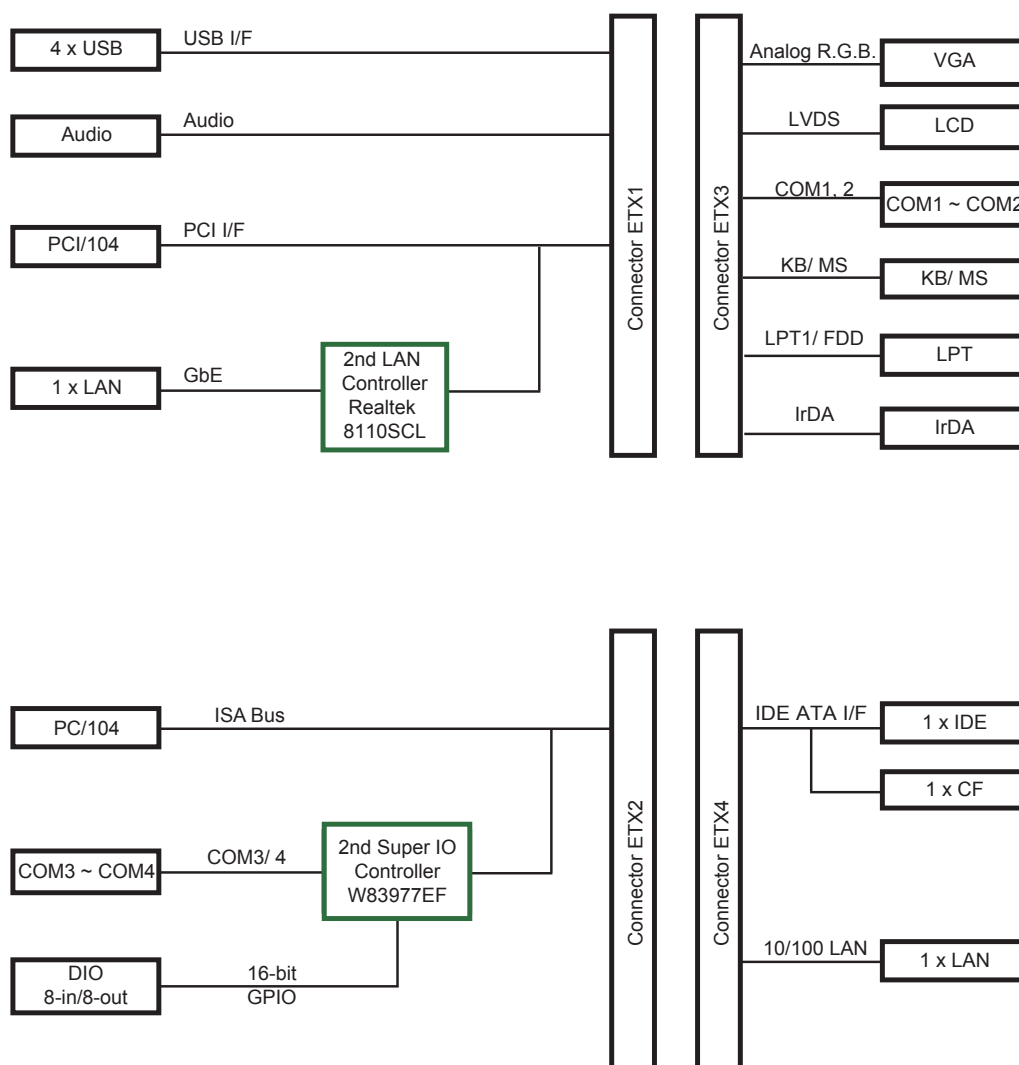
Power Requirement	12V/5V
Power Consumption	2.69A@5V, 0.69A@12V with EmETX-i2304-E3845, 2.55A@5V, 0.70A@12V with EmETX-i2304-E3825 (Typical)
Operating Temp.	-40 ~ 85°C (-40 ~ 185°F)
Operating Humidity	10 ~ 95% @ 85°C (non-condensing)
Dimensions (L x W)	95 x 114 mm (3.7" x 4.5")

Dimensions





Block Diagram



Ordering Information

PBE-1100-RG R3.3 ETX carrier board

Optional Accessories

CBK-16-1100-01 Cable kit
 1 x Audio cable
 2 x USB cables
 2 x Serial port cables
 1 x LPT-to-FDD cable
 1 x IDE cable
 1 x LPT cable
 2 x Ethernet cables
 1 x VGA cable
 1 x KB/MS cable
 2 x SATA cables
 1 x Power cable (4 wires)
 1 x Power cable (2 wires)