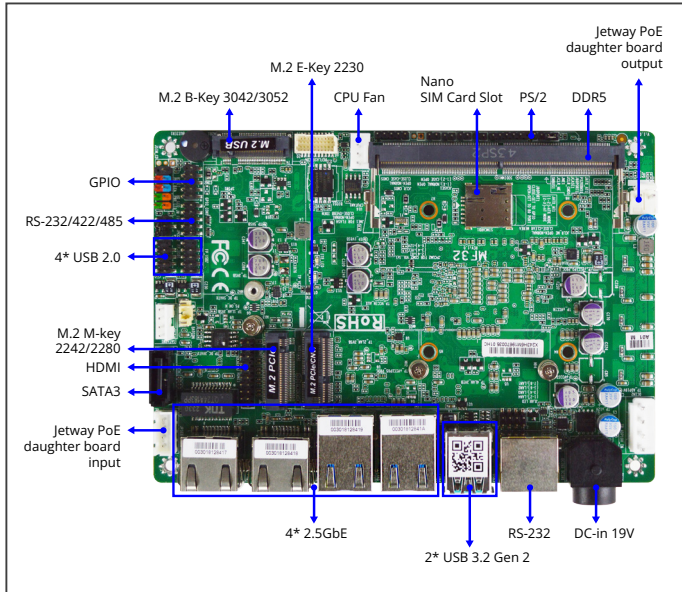


## 3.5" SBC with Intel® 13th Generation Core™ i5-1335UE



## Features

- Onboard Intel® 13th Gen Core™ i5-1335UE (Formerly Raptor Lake-P, TDP 15W)
- 4 x Intel 2.5GbE LAN
- Optional Dual 802.3at PoE (Max. Output 40W)

## Applications

- Network Appliance
- Network Security
- Digital Surveillance

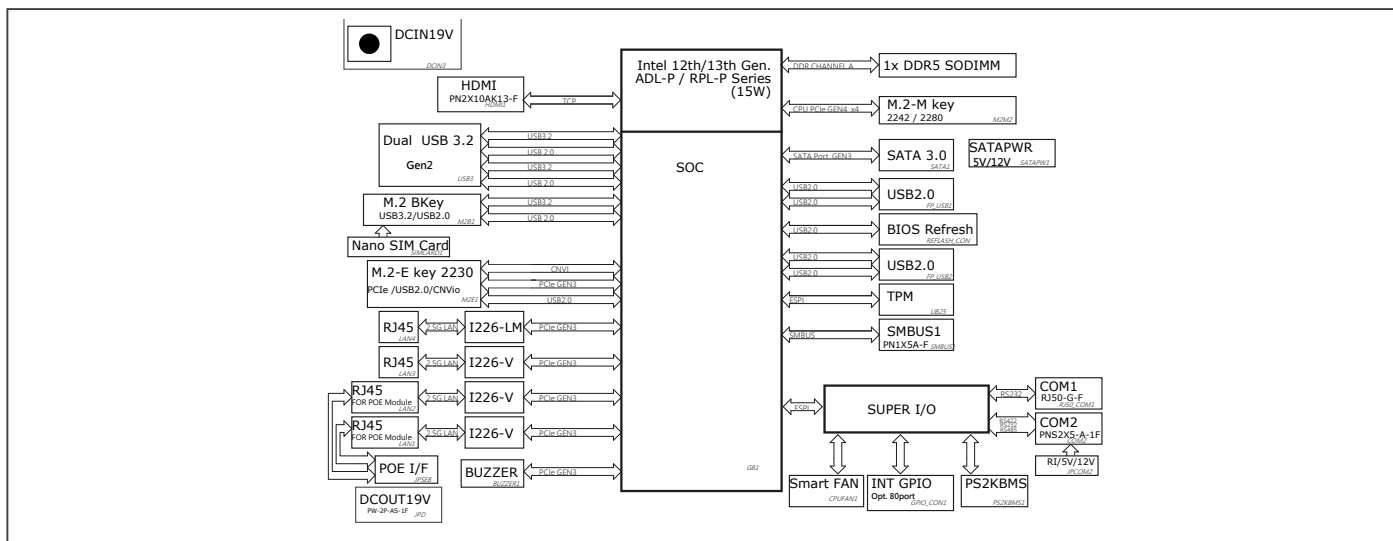
## Packing List

Part Number	Description	QTY per Board
MF32	MF32 M/B	1
G01-2X10A-HDMI-1F	HDMI Cable, length = 250mm	1
G01-COM-H2M20-1F	COM Cable, length = 240mm	1
G01-PW4PS-2S-323F	SATA Power Cable, length = 200mm	1
G01-SATA3-BL-1F	SATA Cable, length = 500mm	1
G01-USB2X5A-28-F	USB Cable, length = 280mm	1

## Specifications

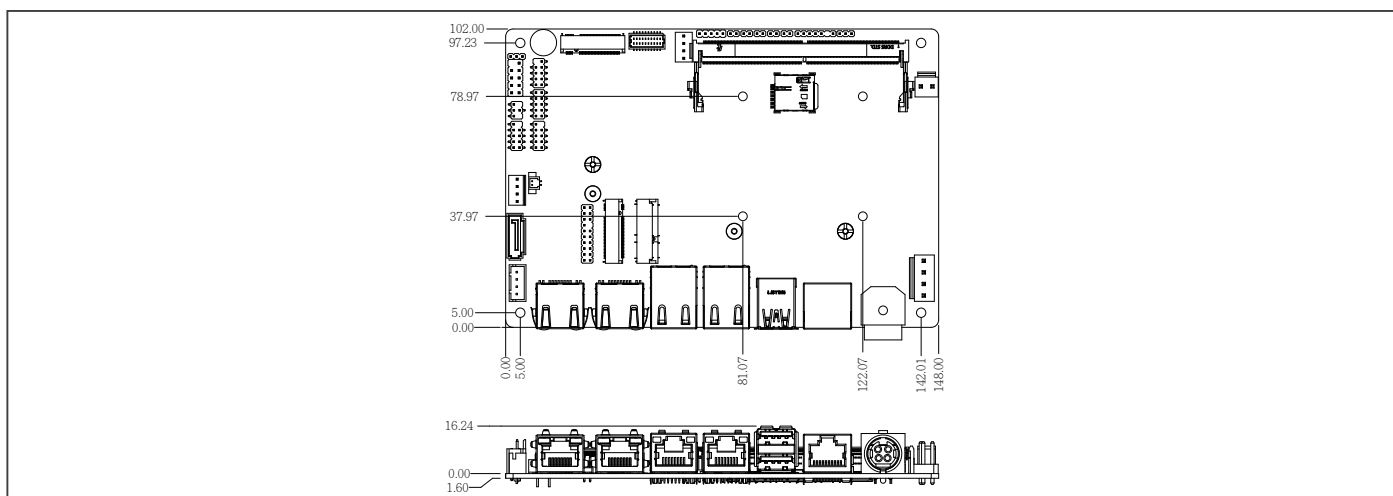
SYSTEM	
MB FORM FACTOR	3.5"
CPU	Onboard Intel® 13th Gen Core™ i5-1335UE (Formerly Raptor Lake-P, TDP 15W) Onboard Intel® 13th Gen Celeron® U300 (Formerly Raptor Lake-P, TDP 15W) For additional compatible CPUs, please contact regional sales
CHIPSET	Intel® SoC
MEMORY	1 x DDR5 4800MHz, Single Channel S0-DIMM, up to 32GB
BIOS	UEFI
WAKE ON LAN	Yes
WATCHDOG TIMER	255 Levels
SECURITY	Intel® PTT (Integrated fTPM) TPM2.0 (dTPM, Optional)
RTC BATTERY	Lithium Battery
DIMENSION (W X D)	148.0 (W) x 102.0 (D) mm (5.8" x 4.0")
OS SUPPORT	Windows® 11 (64bit) Windows® 10 (64bit) Linux
POWER	
POWER REQUIREMENT	DC-in 19V
POWER ON MODE	AT / ATX (Default) Mode
CONNECTOR	4-pin Power Din Internal 4-pin Header
DISPLAY	
GPU	Intel® Iris® Xe Graphics
HDMI	1 x Internal Header for HDMI 1.1 (Max Resolution: 1920 x 1080@60Hz)
LAN	
ETHERNET	3 x RJ45 for Intel® I226-V 2.5GbE 1 x RJ45 for Intel® I226-LM 2.5GbE
USB PORT	
USB	2 x USB 3.2 Gen 2x1 (10Gbps, Formerly USB 3.1 Gen 2) Internal Header for 4 x USB 2.0
SERIAL PORT	
COM	Internal Header for 1 x RS-232/422/485 1 xRJ50 for RS-232
INTERNAL I/O	
GPIO	8-Bit
SMBUS	Yes
FAN	1 x 4-pin Connector for CPU Fan (PWM Mode)
FRONT PANEL	HDD Active LED Power LED Power On/Off Reset
ADDITIONAL	Onboard 1x2-pin header and 1x4-pin header for PoE Module 1 x AT/ATX Mode Selection 1 x Chassis Intrusion 1 x PS/2
STORAGE	
SATA	1 x SATA3 1 x SATA Power Connector
EXPANSION	
M.2	1 x E-Key 2230 (USB 2.0/PCIe 3.0 x1) support CNVio 1 x B-Key 3042/3052 (USB 3.2/PCIe 3.0 x1) 1 x M-Key 2242/2280 (PCIe 4.0 x4) support NVMe
SIM	1 x Nano SIM Card Slot
ENVIRONMENT & CERTIFICATION	
OPERATING TEMPERATURE	-20°C ~ 60°C (-4°F ~ 140°F)
STORAGE TEMPERATURE	-40°C ~ 85°C (-40°F ~ 185°F)
OPERATING HUMIDITY	10 ~ 90% Relative Humidity, Non-condensing
STORAGE HUMIDITY	10 ~ 90% @40°C, Non-condensing

## Block Diagram



## Dimension

Unit: mm



## Ordering Information

Part Number	MF32-133E0	MF32-133E2	MF32-300U0	MF32-300U2
CPU	Intel® Core™ i5-1335UE	Intel® Core™ i5-1335UE	Intel® Celeron® U300	Intel® Celeron® U300
MEMORY	1 x DDR5 S0-DIMM, up to 32GB	1 x DDR5 S0-DIMM, up to 32GB	1 x DDR5 S0-DIMM, up to 32GB	1 x DDR5 S0-DIMM, up to 32GB
SECURITY	Intel® PTT (fTPM)	Intel® PTT (TPM) & TPM 2.0 (dTPM)	Intel® PTT (fTPM)	Intel® PTT (TPM) & TPM 2.0 (dTPM)
POWER REQUIREMENT	DC-in 19V	DC-in 19V	DC-in 19V	DC-in 19V
GPU	Intel® Iris® Xe Graphics	Intel® Iris® Xe Graphics	Intel® Iris® Xe Graphics	Intel® Iris® Xe Graphics
HDMI	1 x HDMI	1 x HDMI	1 x HDMI	1 x HDMI
ETHERNET	4 x 2.5GbE	4 x 2.5GbE	4 x 2.5GbE	4 x 2.5GbE
USB	2 x USB 3.2	2 x USB 3.2	2 x USB 3.2	2 x USB 3.2
USB	4 x USB 2.0	4 x USB 2.0	4 x USB 2.0	4 x USB 2.0
COM	1 x RS-232	1 x RS-232	1 x RS-232	1 x RS-232
COM	1 x RS-232/422/485	1 x RS-232/422/485	1 x RS-232/422/485	1 x RS-232/422/485
SATA	1 x SATA3	1 x SATA3	1 x SATA3	1 x SATA3
M.2	1 x M-Key 2242/2280	1 x M-Key 2242/2280	1 x M-Key 2242/2280	1 x M-Key 2242/2280
M.2	1 x E-key 2230	1 x E-key 2230	1 x E-key 2230	1 x E-key 2230
M.2	1 x B-key 3042/3052	1 x B-key 3042/3052	1 x B-key 3042/3052	1 x B-key 3042/3052