



## Specification

Model No	AMK708-CB	AMK708-VB	AMK708-HB
Construction	Heavy-duty steel		
Drawer design	1U, Dual slide rail LCD KB drawer for 19" cabinet Enable independent extraction of LCD or KB alone		
Display	17", 1280x 1024 resolution with tempered glass Option: 19", 1280x 1024 with tempered glass		
Protection	Tempered glass protect LCD screen		
Physical security	Key locking mechanism		
KVM switch	8 port Combo KVM	8 port DVI-D KVM	8 port HDMI KVM
Port connection	Daisy chain up to 8 levels to support up to 120 sets		
Port selection	8x Front push buttons, OSD Menu, Hotkey		
LED indication	Power LED indicates a computer is connecting Operation LED indicates the port has been selecting		
Keyboard	Industrial keyboard with touchpad Option KB: CH, FR, GR, IT, JP, KR, PT, RU, SP, UK, US		
Power supply	Built-in 60W, 90~264VAC, Operating temp.: -20~70°C		
Power consumption	3 watts stand-by, 25 watts in-use		
Dimension	442.4x 44x 590mm (Wx Hx D)		
Weight	12 kgs		
KVM cable	8x USB KVM cable	8x DVI/ USB cable	8x HDMI/ USB cable

## Environmental Factors

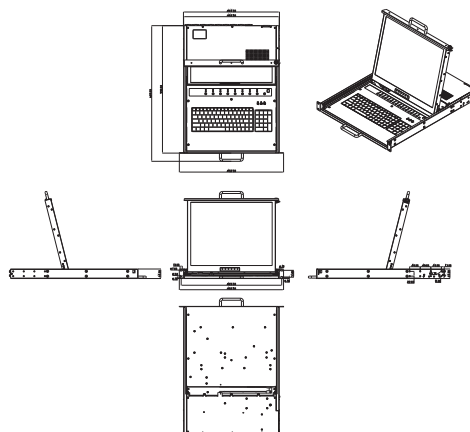
	Operating	Non-Operating
Temperature	0°C~50°C	-20°C~60°C
Relative Humidity	10%~90%	10%~95%
Approval	CE, FCC, RoHS	

## Features

- Meets EIA310c & IEC-3 specification
- 1U, Dual slide rail, 17" or 19" LCD Keyboard drawer  
8 port Combo, DVI or HDMI KVM switch
- Built-in 17" LCD monitor, 1280x 1024 resolution  
Option: 19", 1280x 1024 LCD monitor
- Industrial keyboard with touchpad
- Includes a key-locking mechanism to prevent unauthorized access
- Built-in rail self-locking device
- Tempered glass protect LCD screen

## KVM switch

- 8 port Combo, DVI or HDMI KVM switch
- Support password protection and server name
- Support Windows, DOS, Netware, Unix, Linux, IMAC, Power MAC and Sun Micro systems with USB
- Hot plug- add or remove connected computer without powering off the KVM switch or computer
- No software required. Easy computer selection via Front push buttons, Hot Key, OSD manu
- Auto scan mode. Easy to monitor server operation



## Ordering Information

### AMK708-17CBUS

1U, dual rail, 17" LCD, 8-port Combo KVM, 8x 1.8m USB cables

### AMK708-19CBUS

1U, dual rail, 19" LCD, 8-port Combo KVM, 8x 1.8m USB cables

### AMK708-17VBUS

1U, dual rail, 17" LCD, 8-port DVI KVM, 8x 1.8m DVI/ USB cables

### AMK708-19VBUS

1U, dual rail, 19" LCD, 8-port DVI KVM, 8x 1.8m DVI/ USB cables

### AMK708-17HBUS

1U, dual rail, 17" LCD, 8-port HDMI KVM, 8x 1.8m HDMI/ USB cables

### AMK708-19HBUS

1U, dual rail, 19" LCD, 8-port HDMI KVM, 8x 1.8m HDMI/ USB cables

### Option:

Wide temperature: Operating temp. -20~70°C

80W, 24~48VDC power supply

-48VDC power supply