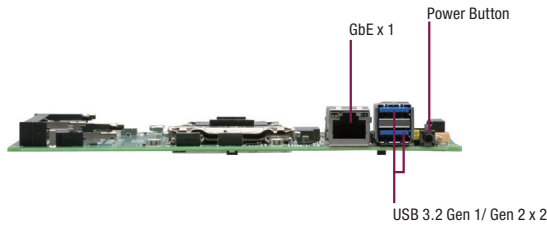
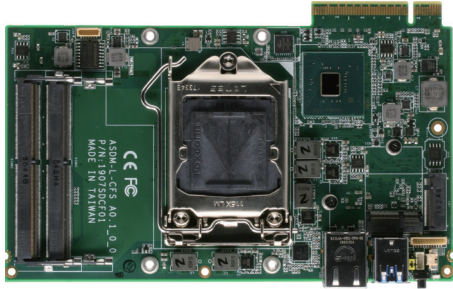


# ASDM-L-CFS

Intel® Smart Display Module-Large Size with 8th/9th Generation Intel®Coffee Lake -S / Refresh series Processor (Socket Type)

Smart Display Module



## Features

- Intel® Smart Display Module-Large Size
- 8th/9th Generation Intel® Core™ i-S series Processor (Coffee Lake-S/ Refresh)
- DDR4 2666 SO-DIMM x 2
- M.2 2242 (B key) x 1, M.2 2230 (E-Key) x 1
- USB 3.2 Gen 1 x 2 (Gen 2 supported by Q370)
- Intel® I219 GbE x 1
- HDMI 2.0 x 1, DP1.2 x 1 (through Edge Connector)



## Specifications

System	
Form Factor	Intel SDM-L Module
CPU	8th/9th Generation Intel® Core™, Pentium®, and Celeron® processors (Coffee Lake S, Coffee Lake Refresh) , TDP up to 35W
CPU Frequency	Up to 4.0 GHz
Chipset	Intel® Chipsets H310/ Q370
Memory Type	DDR4 2666 SO-DIMM x 2 (Non-ECC Support)
Max. Memory Capacity	Up to 32GB
BIOS	AMI BIOS
Wake On LAN	Yes
Watchdog Timer	255 Levels
Power Requirement	12V DC from the Docking Board through the Edge Connector
Power Supply Type	AT/ATX
Power Consumption (Typical)	12V, 6.08A, estimate 72.96W with i7-9700TE at 100% loading
Dimension (L x W x H)	3.94" x 6.89" x 0.79" (100 mm x 175 mm x 20 mm)
Operating Temperature	32°F ~ 131°F (0°C ~ 55°C)
Storage Temperature	-40°F ~ 176°F (-40°C ~ 80°C)
Operating Humidity	0% ~ 90% relative humidity, non-condensing
MTBF (Hours)	—
Certification	CE/FCC
Display	
Controller	Intel® UHD Graphics 630/620/610
Video Output	HDMI 2.0 x 1 (through edge connector) DP1.2 x 1 (through Edge connector)
Audio	Through HDMI, DP by edge connector
I/O	
Ethernet	LAN I219, RJ45 x 1
USB Port	USB 3.2 Gen 1 x 2 / USB 3.2 Gen 2 support by Q370
Storage	M.2 2242 B-Key
Expansion Slot	M.2 2230 E-Key TPM2.0(optional)

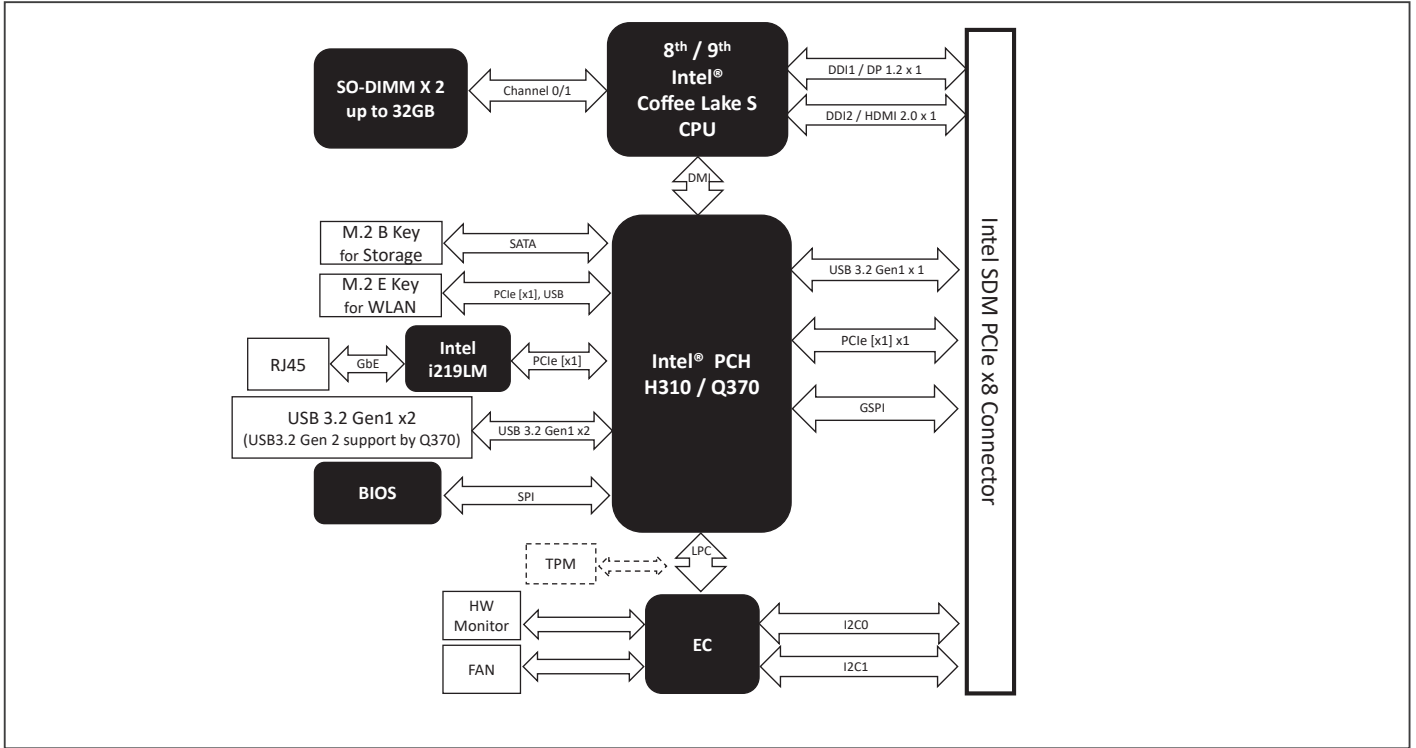
## Packing List

- ASDM-L-CFS

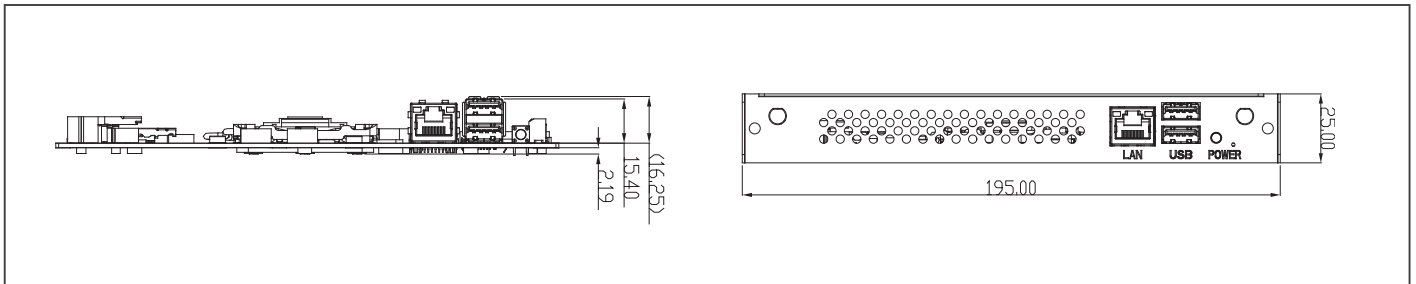
## Optional Accessories

Part Number	Description	Qty
ASDM-L-CFS-FAN01	Coffee lake.CPU Cooler.132.5*96.5*15.9mm.Coppery+Black.ASDM-L-CFS	1
ASDM-L-CFS-FAN02	Coffee lake.CPU Cooler.132.5*96.5*15.9mm.Aluminum+Black.ASDM-L-CFS	1
ASDM-L-BRKT01	ASDM.Coffee Lake.IO Bracket.195*25*18mm.for ASDM-L-CFS	1
ASDM-CRB-A11-0001	ASDM Carrier Board.HDMI.DP.3USB.1COM.MicroSD.Rev A1.1	1

### Block Diagram



### Dimension Unit: mm



### Ordering Information

Part Number	CPU	Chipset	Fan/Fanless	Display	Memory	Storage	LAN	USB	Expansion Slot	Power	Power Temp
ASDM-L-CFS-A10-0003	8th/9th Gen Coffee Lake-S/Refresh Socket Type	H310	Fan	HDMI 2.0 x 1 DP 1.2 x 1	DDR4 SO-DIMM x 2	M.2 2242 B-Key x 1	GbE x 1	USB 3.2 Gen 1 x 2	M.2 2230 E-Key x 1	+12V, AT/ATX	0°C ~ 55°C
ASDM-L-CFS-A10-0004	8th/9th Gen Coffee Lake-S/Refresh Socket Type	Q370	Fan	HDMI 2.0 x 1 DP 1.2 x 1	DDR4 SO-DIMM x 2	M.2 2242 B-Key x 1	GbE x 1	USB 3.2 Gen 2 x 2	M.2 2230 E-Key x 1	+12V, AT/ATX	0°C ~ 55°C