

AIIS-3400P (PoE) AIIS-3400U (USB 3.0)

Compact Vision System, Intel® 6th/7th Gen Core i CPU, 4-CH Camera Interface for GigE PoE or USB 3.0



Features

- Intel 6th/7th generation Core i CPU (LGA1151)
- AIIS-3400P: 4-CH GbE PoE (Power over Ethernet)
 - Powered device auto detection and classification
 - IEEE 802.3af compliant, supports IEEE 1588
 - Compatible with GigE cameras
- AIIS-3400U: 4-CH USB 3.0 with dedicated controller
 - Maximize the USB3.0 bandwidth for multi-cameras
 - Compatible with USB 3.0 cameras
- Compact & thoughtful design
 - Volume less than 3 Liter
 - Isolated Digital I/O
 - Internal USB 2.0 connector

Specifications

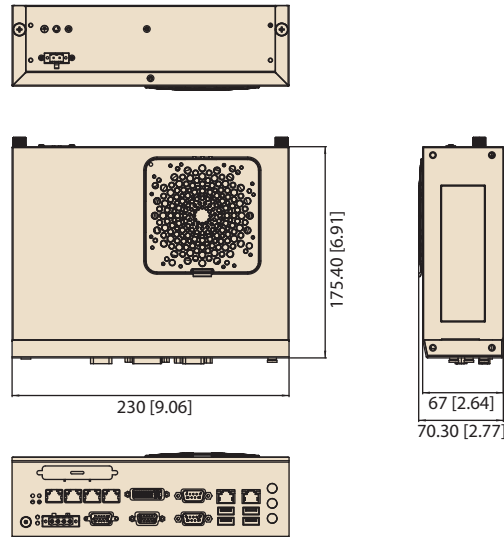
		6th generation CPU				7th generation Core i CPU			
Processor System	CPU	i7-6700	i5-6500	i3-6100	G4400	G3900	i7-7700	i5-7500	i3-7101E
	Core	4	4	2	2	2	4	4	2
	Base Frequency	3.4 GHz	3.2 GHz	3.7 GHz	3.3 GHz	2.8 GHz	3.6GHz	3.5GHz	3.9GHz
	L3 Cache	8 MB	6 MB	4 MB	3 MB	2 MB	8MB	6MB	3MB
	Chipset	H110							
BIOS	AMI 128Mb SPI Flash								
Memory	Technology	Dual Channel DDR4 1866/2133 MHz (non-ECC)							
	Max. Capacity	32 GB (16 GB per DIMM)							
	Socket	260-pin SO-DIMM							
Graphics	Chipset Integrated	Integrated Intel HD Graphics							
Ethernet	Interface	10/100/1000 Mbps							
	Controller	LAN1: Intel i219LM, LAN2: Intel i210AT (Both support Wake on LAN)							
Camera Interface PoE (AIIS-3400P)	Controller	CH1 ~ CH4: Intel i210							
	Compliant	IEEE 802.3af							
	Power Output	15W per channel / 30W for 1 & 2 channel (Note: selected by BIOS)							
Camera Interface USB 3.0 (AIIS-3400U)	Controller	CH1 ~ CH4: μ PD720202							
	Compliant	USB 3.0							
	Power Output	4.5W per Channel							
Storage	Internal 2.5" HDD Bay	1 (max. 9.5 mm height)							
	CFast	1							
Front I/O	Display	VGA + DVI-D							
	USB	4 USB3.0							
	Serial	2 (RS-232/422/485, via BIOS setting ; RS-485 support auto-flow control)							
	Isolated DIO (Default)	4 DI and 4 DO Channels							
	Isolated DIO (Optional)	AIIS-E730-AE (16-CH DI, 16-CH DO) High output driving capacity (500 mA max./channel) Interrupt capable for all 16 DI channel Supports 3-30 V _{DC} isolated input channel Dry/Wet contact support High-voltage isolation on output channels (2,500 V _{DC})							
Internal Connector	USB	1 USB 2.0 connector							
Watchdog Timer	Output	System reset							
	Interval	Programmable 1 ~ 255 sec/min							
Power Requirement	Power Type	ATX/AT							
	Power Input Voltage	19 V _{DC} ~ 24 V _{DC} (\pm 10%)							
	Minimum Power Input	DC 19-24V @ 8-6.3A							
	Power Adapter	AC to DC, DC24V/9.16A, 220W (Optional)							
Cooling	System Fan	1 (6cm / 27.7 CFM)							
Miscellaneous	LED Indicators	Power, HDD, temperature							
	Control	Power on/off switch							
Environment	Temperature	Operating 0 ~ 45 °C (32 ~ 113 °F)*				Non-operating -40 ~ 70 °C (-40 ~ 158 °F)			
	Humidity	10 ~ 95% @ 40 °C, non-condensing							
	Vibration	0.5Grms, random, 5-500Hz, 3 axes, 1 hr/axis				2G, sine wave, 5-500Hz, 3 axes, 1 hr/axis			
	Shock	10G, half sine wave, 11 ms duration							
Physical Characteristics	Dimension (W x H x D)	230 x 70 x 175 mm (9.06" x 2.76" x 6.89")							
	Weight	1.8 kg (3.97 lb) (w/o CPU cooler)							

* Depends on CPU

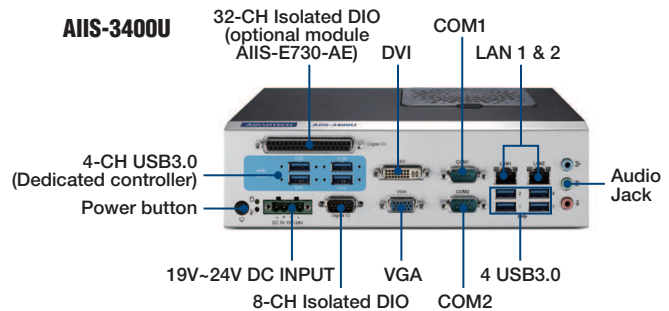
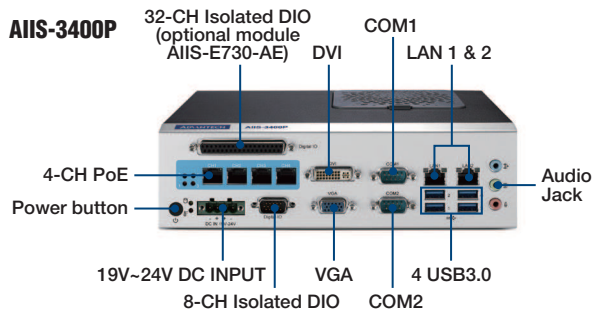
AIIS-3400P (PoE) AIIS-3400U (USB 3.0)

Dimensions

Unit: mm [inch]



Front View



Ordering Information

Part Number	Camera Interface	Display	USB 3.0	Isolated DIO	COM 232/422/485
AIIS-3400P-00A1E	4-CH GigE PoE	VGA+DVI-D	4	8-CH	2
AIIS-3400U-00A1E	4-CH USB 3.0	VGA+DVI-D	4	8-CH	2

Packing List

Items	Part Number	Quantity
Bare System	AIIS-3400	1
Startup manual (EN/CN)	2001340000	1
Startup manual (TC)	2001340010	1
Driver CD	2061340011	1
Wallmount Bracket	1960014487T006	2
Rubber Foot	1990006571S000	4
CPU Cooler	1960060620N001	1
4-pin Phoenix DC power connector	1652003234	1
2-pin Phoenix DC power connector	1652002205	1

Optional Accessories

Part Number	Description
98R2124000E	DIN-Rail Bracket
96PSA-A220W24P4-1	220Watt DC24 Adapter
1702002600	Power cord 3-pin UL/CSA (USA) 125 V 10A 1.83 M 180D
1700022940-01	Power cord PSE 7A 125 V 3P 3 m DAC-ST01
1702002605	Power cord 2P (France) 10A/16A 220 V 1.83 M 90D
1700023217-01	8-CH DIO Cable for Wiring Board
ADAM-3925-AE	8-CH DIO DB-25 Wiring Terminal, DIN-rail Mount
AIIS-DIO32-00A1E	Isolated DIO module, 32-CH, 9-pin USB interface
AIISE7301701-T	Isolated DIO module, 32-CH, MIO with PCIe1 interface
PCL-10137-1E	32-CH DIO Cable 1M for Wiring Terminal
ADAM-3937-BE	32-CH DIO DB-37 Wiring Terminal, DIN-rail Mount

Embedded OS

Part Number	Description
2070014568	img WES7P AIIS-3400/3410 x64 V5.8.0 10MUI

*7th generation CPU only supports Win10 OS

Note: If there is no 19~24V_{DC} source in your facility, this adapter is required to power on the system