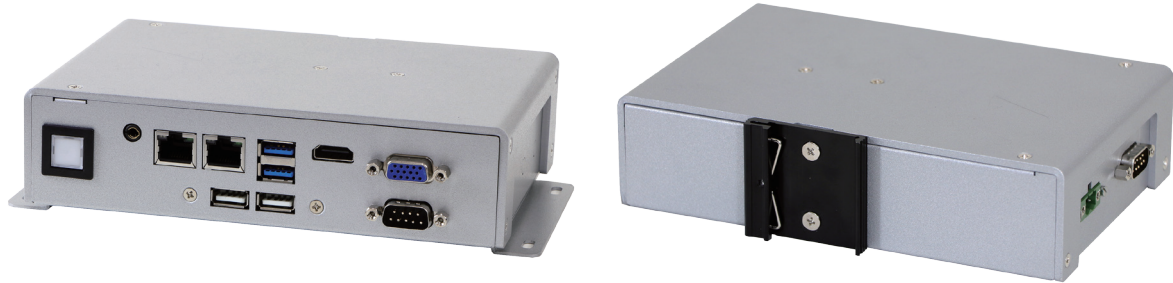


BPC-3025

Ultra Compact IoT Gateway Solution Fanless
Embedded Box PC with Intel® Apollo Lake Processor



Features

- Intel® Pentium® N4200/ Celeron® N3350 Processor
- Support 2 LAN, 2 COM, 4 USB
- Support Wide Range 9~36V DC input
- Support DIN Rail, Wall Mount

Applications

- IoT Gateway
- Factory Automation
- Devices Monitoring
- Intelligent Transportation Systems

→ Packing List

Description
1 x BPC-3025
1 x Power Adaptor
1 x Power Cord
1 x DIN Rail Kits

→ Optional Items

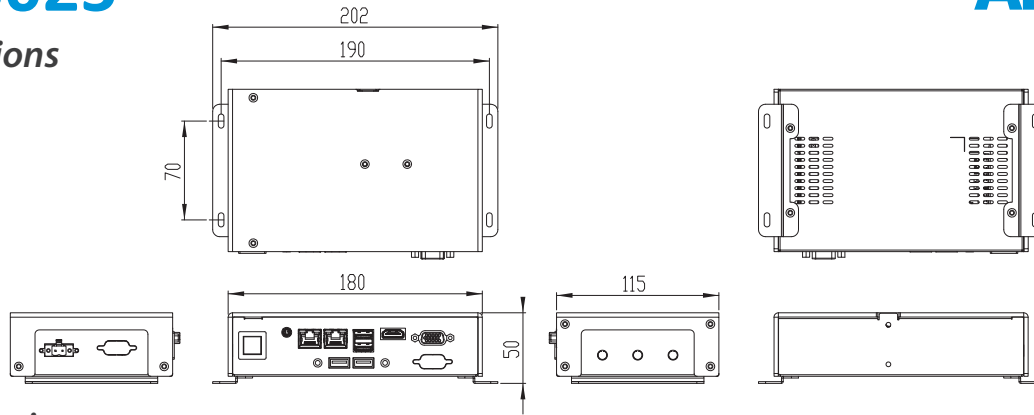
Part No.	Description
AWD-4G003	4G(LTE) EG25-G+ 2 antenna, Full size (for global)
AWD-WF003	wifi 802.11 b/g/n (1T1R) + 1 antenna , Half size
AWD-WF001	wifi 802.11 a/b/g/n/ac/BT4.0 (2T2R) + 2 antenna(dual band), Half size

→ Ordering Information

Part No.	Description
BPC-3025-1A1	Intel® Pentium® N4200 2.5GHz Quad Core CPU, 2 x DDR3L memory, 2 USB3.0, 2 USB2.0, 1 RS-232/422/485 , 1 RS-232, 2 x GbE, 1 VGA, 1 HDMI, DC 9~36V, Phoenix Connector, DIN Rail
BPC-3025-2A1	Intel® Celeron® N3350 2.4GHz Dual core CPU, 2 DDR3L memory, 2 USB3.0, 2 USB2.0, 1 RS-232/422/485 , 1 RS-232, 2 x GbE, 1 VGA, 1 HDMI, DC 9~36V, Phoenix Connector, DIN Rail

BPC-3025

→ Dimensions



→ Specifications

Model		BPC-3025-1A1	BPC-3025-2A1
Processor System	CPU	Intel® Pentium® N4200 Processor (Quad Core, 1.1GHz, up to 2.5GHz)	Intel® Celeron® N3350 Processor (Dual Core, 1.1GHz up to 2.4GHz)
	System Chipset	N/A	
	BIOS	UEFI	
Memory	Technology	Dual channel DDR3L 1866 MHz SDRAM	
	Max. Capacity	8 GB	
	Socket	2 204-pin SO-DIMM	
Display	Graphics Engine	Intel® HD Graphics 500	
	VGA	Max resolution, Up to 1920 x 1200 @ 60Hz	
	DVI-D	N/A	
	HDMI	HDMI 1.4b, Max Resolution Up to 3840 x 2160 @30Hz	
	Display Port	N/A	
Front I/O Interface	Multi Display	VGA + HDMI	
	USB	4, 2 USB 3.0, 2 USB 2.0	
	Serial	2, COM ports (1 RS-232/422/485, 1 RS-232)	
	GPIO	1, GPIO (8 bit), (optional)	
	Ethernet	Dual GbE, Intel® i211AT, 10/100/1000 Mbps	
	Audio	Line out	
Real I/O Interface	Others	N/A	
	USB	N/A	
	Serial	N/A	
	GPIO	N/A	
	Ethernet	N/A	
	Audio	N/A	
Expansion	Others	N/A	
	miniPCIe/ M.2 Slot	1 miniPCIe (full-size)	
	PCI/ PCIe Slot	N/A	
Storage	SIM	with SIM holder	
	HDD/SSD	N/A	
	RAID	N/A	
Power	mSATA/M.2	1x M.2 2242 B key or B+M key	
	Power On Model	AT/ ATX	
	Power Supply Voltage	9-36 V DC input (Phoenix Connector), 6.7-1.7 A	
	Power Consumption (Typical)	0.69A @ 12 V (8.3 W)	0.69A @ 12 V (8.3 W)
	Power Consumption (Max.)	3.18A @ 12 V (38.2W)	3.18 A @ 12 V (38.2W)
Mounting	Battery	CR2032; 3.3V	
	Type	Wall Mount, DIN Rail	
Environment	Operating Temperature	-20~60° C (-4~140° F) (Humidity: 60° C @ 80% RH Non-condensing) w/ Extended Temp. RAM & M.2 SSD	
	Storage Temperature	-40~85° C (-40~185° F) (Humidity: 60° C @ 95% RH Non-condensing)	
	Humidity	5~95% @ 40° C, non-condensing	
	Vibration	1 Grms, IEC 60068-2-64, random, 5~500 Hz, 1 Oct/min., 1hr/axis, x, y, z 3 axes	
	Shock	20 G, IEC 60068-2-27, half sine, 11 ms duration	
General	Certification	TBD	
	Thermal Dissipation	Fanless System	
	Ingress Protection	IP40 Protection	
	Dimensions (W x H x D)	180 x 50 x 115 mm (7.09" x 1.97" x 4.53")	
	Net Weight	0.77kg (1.7lb)	
	Operating System	Windows 10 (IoT/Professional), Linux kernel 4.0.x or above	