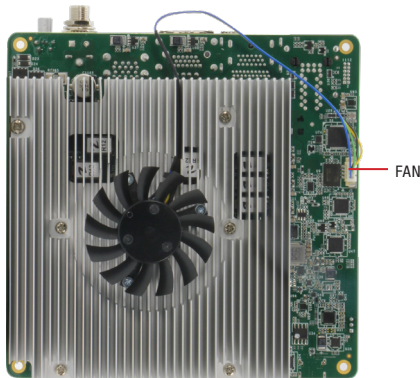
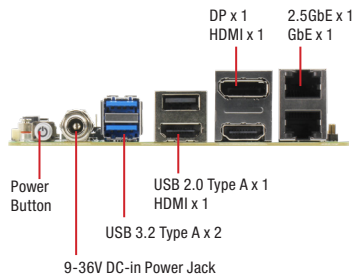
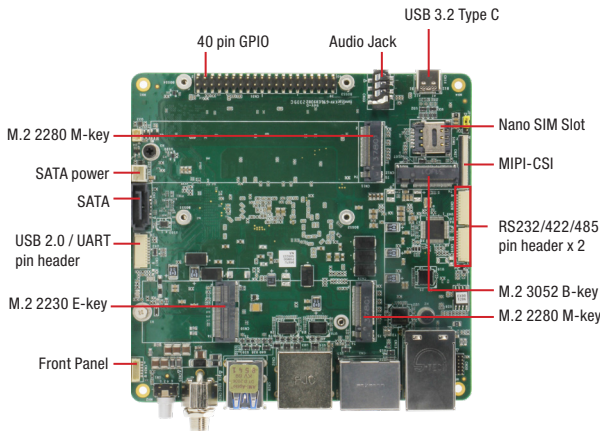


# UP Xtreme i14

UP Xtreme i14 Developer Board with Intel® Core™ Ultra 5/7 Processors



## Features

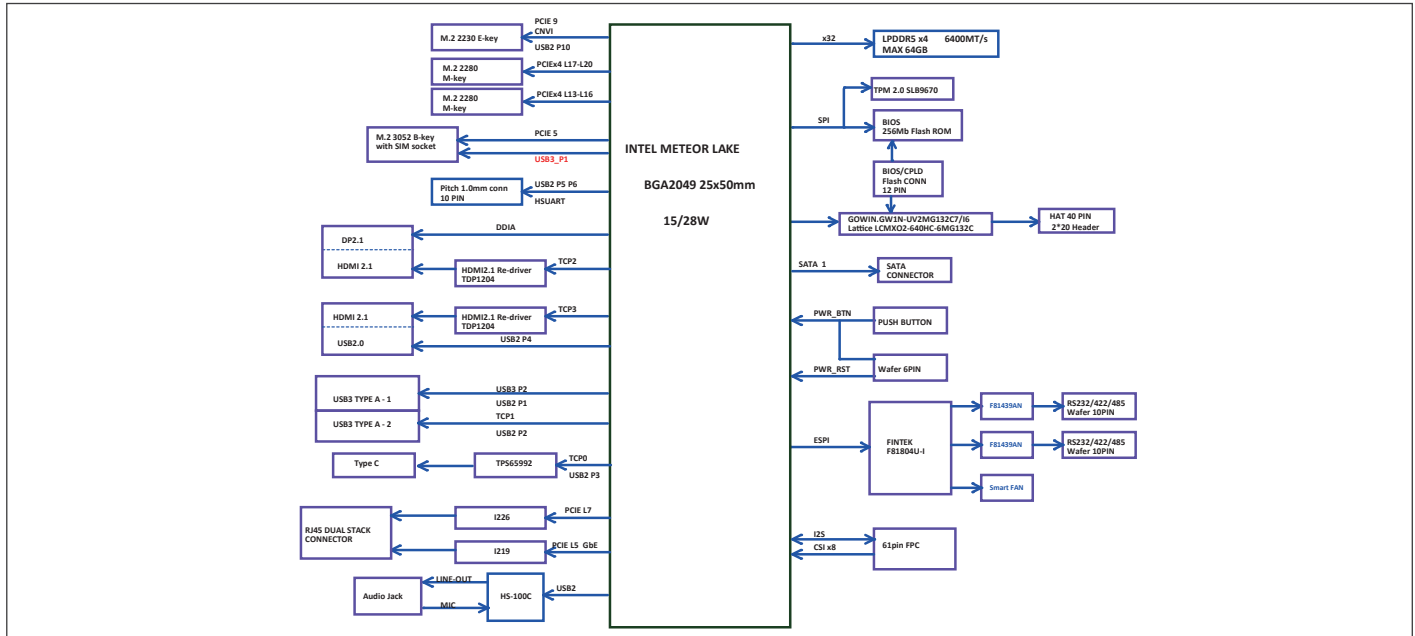
- Intel® Core™ Ultra 5/7 Processors
- Onboard Dual Channel LPDDR5 6400, up to 64GB
- Up to 4 Simultaneous Displays
- M.2 2280 M-Key x 2
- M.2 3052 B-Key x 1 (5G)
- M.2 2230 E-Key x 1 (Wi-Fi/BT)
- 2.5GbE x 1, GbE x 1
- USB 3.2 Gen 2 (Type A x 2, Type C x 1)
- Onboard TPM 2.0
- Wide DC Input 9-36V



## Specifications

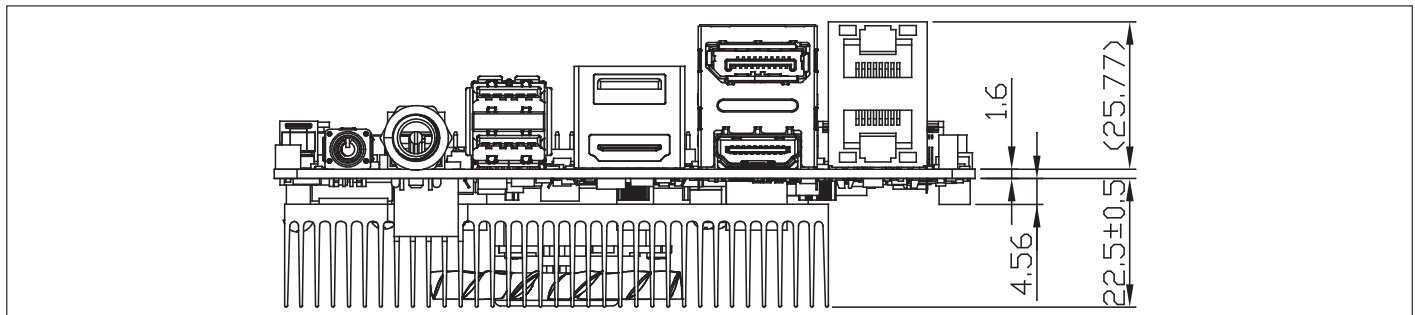
System	
Processor	Intel® Core™ Ultra 5 processor 125U (12M Cache, up to 4.30 GHz) Intel® Core™ Ultra 5 processor 125H (18M Cache, up to 4.50 GHz) Intel® Core™ Ultra 7 processor 155H (24M Cache, up to 4.80 GHz) Intel® Core™ Ultra 7 processor 165H (24M Cache, up to 5.00 GHz)
Graphics	Intel® Arc™ graphics
Memory	Up to 64GB onboard LPDDR5 (Dual-Channel)
Storage	M.2 2280 M-Key x 2 SATA 6Gb/s x 1
I/O	HDMI 2.1 x 2 DP 2.1 x 1 DP 1.4 via USB Type-C x 1 Audio Jack x 1 (Mic-in+Line-out) RS-232/422/485 10-pin header x 2
Camera	MIPI-CSI via 61-Pin FPC Connector x 1
USB	USB 2.0 x 2 (from 10 pin header x 1) USB 2.0 (Type-A) x 1 USB 3.2 Gen 2 (Type-A) x 2 USB 3.2 Gen 2 (Type-C) x 1
Expansion	40-pin GPIO x 1 M.2 2230 E-Key x 1 (PCIe Gen 3 [x1], USB 2.0) M.2 2280 M-Key x 2 (PCIe Gen 4 [x4]) M.2 3052 B-Key x 1 (PCIe Gen 3 [x1], USB 3.2 Gen 2 [x1]) with Nano SIM slot (USB 3.0) SATA 6Gb/s x 1
Display Interface	HDMI 2.1 x 2 DP 2.1 x 1 DP 1.4 via USB Type-C x 1
Ethernet	2.5GbE x 1 (via Intel® Ethernet Controller I226-IT), GbE x 1 (Intel® Ethernet Connection I219)
Security	Onboard TPM 2.0
RTC	Yes
OS Support	Windows 10/11 (64bit) Ubuntu 22.04/Kernel 6.5 up
Power Requirement	
Power	9-36V DC-in (Lockable plug)
Power Supply Type	AT/ATX (ATX as default)
Power Consumption (Typical)	67-80W
Mechanical	
Dimension	4.74" x 4.82" (120.35mm x 122.5mm)
Net Weight	12.7 lb. (0.36Kg)
Gross Weight	1.32lb (0.6kg)
Environment	
Operating Temperature	With Cooler: 32°F ~ 140°F (0°C ~ 60°C), 0.5m/s airflow
Operation Humidity	0% ~ 90% relative humidity, non-condensing
MTBF	1,014,016
Certification	CE/FCC Class A, RoHS Compliant, REACH

## Block Diagram



## Dimension

Unit: mm



## Packing List

- UP Xtreme i14 with active cooler

## Optional Accessories

Part Number	Description
1255X00071	(TF)AC/DC Adapter.Input 100V~240V.output DC 19V.120W.6.32A.DC JACK w/Lock. FSP.FSP120-ABAN3/9NA1208548
170203180J	Power Cord for UK
170X000799	Power Cord for USA
170X000800	Power Cord for EU
170X000815	Power Cord for China
170X000806	Power Cord for Taiwan
170X000803	Power Cord for Japan
170X000810	Power Cord for South Korea
170X000805	Power Cord for Switzerland
1702150155	Power Cable.15P SATA(F).2P 2.0mm, Housing(PH).15cm
1700070200	SATA CABLE.7P 180D(F) w/lock.to 7P 90D(F) w/o, lock SATA.20cm
9651210000	Wireless LAN Kit M.2 2230 802.11ac/a/b/g/n + BT5.2,2.4G/5G/6G,with 2 sets of cable & antenna (Intel AX210)

## Ordering Information

Part Number	CPU	Core	Memory	Thermal Solution
UPX-MTL125H-A10-1600	Intel® Core™ Ultra 5 processor 125H (18M Cache, up to 4.50 GHz)	4P+8E+2LPE	16G	Active Cooler
UPX-MTL125U-A10-3200	Intel® Core™ Ultra 5 processor 125U (12M Cache, up to 4.30 GHz)	2P+8E+2LPE	32G	Active Cooler
UPX-MTL125H-A10-3200	Intel® Core™ Ultra 5 processor 125H (18M Cache, up to 4.50 GHz)	4P+8E+2LPE	32G	Active Cooler
UPX-MTL155H-A10-3200	Intel® Core™ Ultra 7 processor 155H (24M Cache, up to 4.80 GHz)	6P+8E+2LPE	32G	Active Cooler
UPX-MTL165H-A10-6400	Intel® Core™ Ultra 7 processor 165H (24M Cache, up to 5.00 GHz)	6P+8E+2LPE	64G	Active Cooler