

23.8" IP66/69K Waterproof Stainless Steel 316 Projected Capacitive Panel PC with Whiskey Lake Intel® Core™ i5-8265U Processor



## Features

- 23.8" FHD LCD Panel with Projected Capacitive Touch
- Stainless Steel SUS316, Full IP66/69K Waterproof
- Support VESA Mounting and Yoke Mounting
- Completely Flat Front Panel Design

## Applications

- Food & Beverage Processing Application
- Hospitality and Catering Service
- Pharmaceutical and Biopharmaceutical Equipment
- Animal Feed Production Facility
- Chemical, Gas & Oil Critical Environment

## → Packing List

Description
1 x PPC-Z248PW

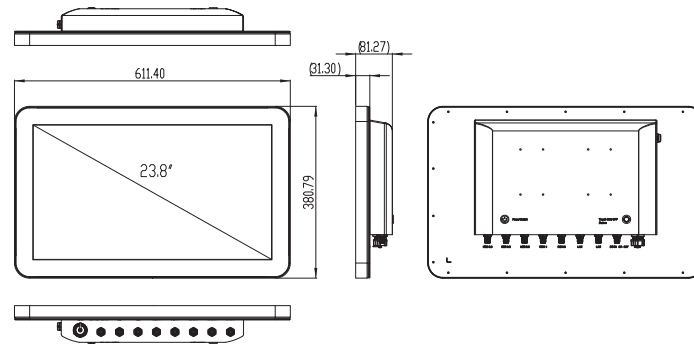
## → Optional Items

Part No.	Description
APW-60M12V-01	12V, 60W, 5A, 5-pin M12 Connector (US)
APW-60M12V-02	12V, 60W, 5A, 5-pin M12 Connector (EU)
AKT-USB2M12	M12 Connector to USB2.0 Cable, 2m
AKT-USB32M12	M12 Connector to USB3.0 Cable, 2m
AKT-COM2M12	M12 Connector to DB9 Cable, 2m
AKT-LAN2M12	M12 Connector to LAN Cable, 2m
AWD-WF006	wifi 802.11 a/b/g/n/ac/BT4.0 (2T2R) + 2 IP66 antenna(dual band), miniPCle Half size
AWD-WF007	wifi 802.11 b/g/n (1T1R) + 1 IP66 antenna(dual band), Half size miniPCle, for PPC Z-series

## → Ordering Information

Part No.	Description
PPC-Z248PW-B6A1	23.8" 16:9 (1920 x 1080), 250nits, Stainless Steel 316 Full IP66/69K Protection, Fanless Panel PC with Intel® Core i5-8265U CPU, Projected Capacitive Touch, 4G RAM, 128G M.2, 2 USB 3.0, 1 x M12 for 2 USB2.0, 1 RS232, 1 RS-232/422/485, 2 GbE, DC 9-36 V (M12 Connector), 1HDMI, IP67

## → Dimensions



## → Specifications

Model		PPC-Z278PW-B61A1
Processor System	CPU	Intel® Core® i5-8265U
	Frequency	Duad-Core up to 4.6 GHz
	L2 Cache	Intel® Smart Cache 8 MB
	System Chipset	N/A
	BIOS	UEFI
Memory	Technology	DDR4 2400 MHz SDRAM
	Max. Capacity	32 GB
	Socket/ (On Board)	2, (260-pin SO-DIMM)
Display	Panel Size	23.8" LCD Panel
	Aspect Ratio	4:3
	Resolution	1920 x 1080 (FHD)
	Viewing Angle	89 x 89 (H) x 89 x 89 (V)
	Brightness	250 (cd/m2)
	Contrast Ratio	3000:1
	VGA / HDMI / DP / DVI	1, HDMI 1.4b, up to 4096x2304@24Hz
Touchscreen	Multi Display	LCD Panel + HDMI, ( IP66 )
	Touchscreen Type	Projected Capacitive Touch
	Surface Hardness	7 Mohs
	Durability	N/A
I/O Interface	Transparency	90% (±3%)
	USB	4, 2 USB 3.0 , 1 x M12 for 2 USB2.0, M12 Connector
	Serial Port	2, COM (1 RS-232, 1 RS-232/422/485), M12 Connector
	Digital I/O	N/A
	Ethernet	2, GbE LAN ports (Intel® i219V and Intel® i211AT)
Expansion	Others	N/A
	miniPCIe/ M.2 Slot	1, Mini PCIe (Full-size); 1, M.2 E Key 2230 (WiFi/BT)
Audio	PCI/ PCIe Slot	N/A
Storage	Connector	N/A
	HDD/SSD	N/A (by option)
Power	mSATA/ M.2 / eMMC	1, M.2 M Key 2280 (SATA III / PCIe x4)
	Power On Model	AT/ATX
	Power Supply Voltage	9-36 V DC input
	Connector Type	M12 Connector
	Power Consumption(Typical/Max.)	Typocal; 1.8A @ 12V (23.6W), Max; 3.61A @ 12V (45.3W)
Mounting	Battery	CR2032;3.3V
	VESA Mount	100 mmx 100 mm; 200mm x 100mm
	Panel Mount	N/A
Environment	Others	Yoke Mount
	Operating Temperature	-20~50° C (-4~122° F)
	Storage Temperature	-40~60° C (-40~140° F)
	Humidity	5~95% @ 40° C, non-condensing
	Vibration	5-500 Hz, 0.026 G <sup>2</sup> /Hz, 2.16 Grms, X, Y, Z, 1 hour per axis
General	Shock	20 G, IEC 60068-2-27, half sine, 11 ms duration
	Certification	TBD
	Thermal Dissipation	Fanless
	Material, Surface Finish	Stainless steel 316, Brush polish
	Ingress Protection	Full IP66/IP69K Protection
	Dimensions (Wx H x D)	611.4 X 380.79 X 81.27mm (24.07" X 14.99" X 3.2")
Net Weight	15kg (33.06lb)	
Operating System	Windows 10 IoT 64Bit, Linux kernal 4.0.x or above	