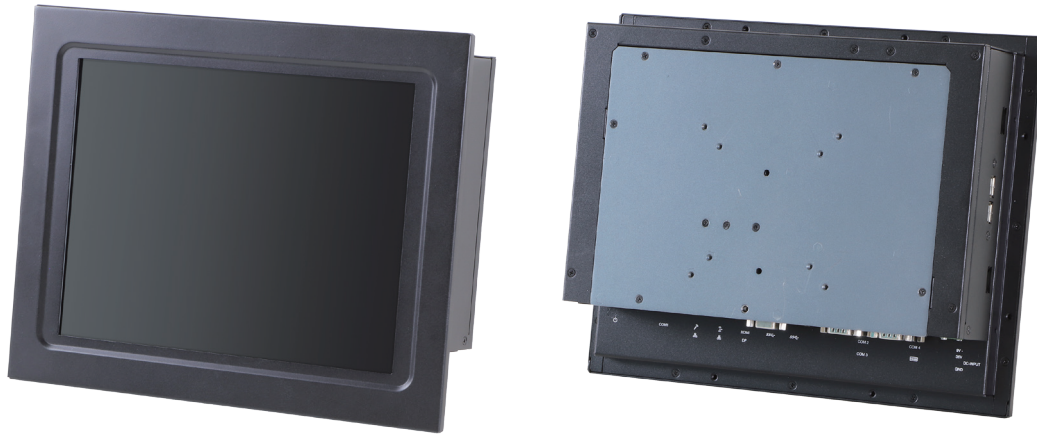


12.1" Industrail Touch Panel PC with Intel® Pentium® N4200/ Celeron® N3350 Processor



Features

- 12.1" XGA LCD Panel with Projected Capacitive / 5 Wired Resistive Touch Display
- Embedded Intel® Pentium® N4200/ Celeron® N3350 Processor
- Front Cover IP54 Protection
- Support miniPCIe with SIM for 3G/LTE and 1 M.2 M/B Key for Storage
- Panel and VESA Mounting

Applications

- Human Machine Interface (HMI)
- Factory / Manufacturing Automation
- ATM / Self-service / Kiosk Applications
- Vending Machine / Ticketing Machine

→ Packing List

Description
1 x PPC-123
1 x Power Adapter
1 x Power Cord
6 x Panel Mounting Screws

→ Optional Items

Part No.	Description
AWD-WF001	wifi 802.11 b/g/n (1T1R) + 1 antenna , Half size
AWD-WF003	wifi 802.11 a/b/g/n/ac/BT4.0 (2T2R) + 2 antenna(dual band), Half size
AWD-3G002	3G UC20-G (HSPA+) + 1 antenna, Full size with SIM socket
AWD-4G001	4G(LTE) EC20-E+ 2 antenna, Full size with SIM socket
AWD-4G002	4G(LTE) EC25-J+ 2 antenna, Full size with SIM socket

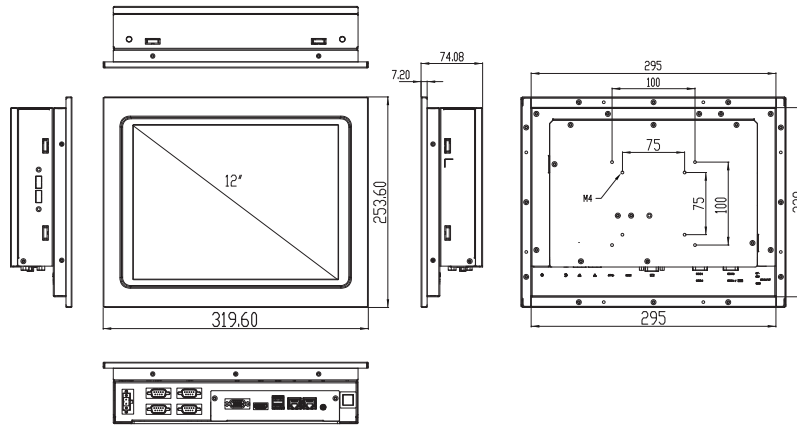
→ Ordering Information

Part No.	Description
PPC-123P-1A1	12.1" Fanless P-Cap Touch Panel PC with Intel® Pentium® N4200, 2 DDR3L, 2 GbE, 4 USB 3.0, 3 RS-232, 1 RS-232/422/485, line out, 1 VGA, 1 HDMI, DC 9~36V, Phoenix Connector
PPC-123P-2A1	12.1" Fanless P-Cap Touch Panel PC with Intel® Celeron® N3350, 2 DDR3L, 2 GbE, 4 USB 3.0, 3 RS-232, 1 RS-232/422/485, line out, 1 VGA, 1 HDMI, DC 9~36V, Phoenix Connector
PPC-123R-1A1	12.1" Fanless 5-wire Resistive Touch Panel PC with Intel® Pentium® N4200, 2 DDR3L, 2 GbE, 4 USB 3.0, 3 RS-232, 1 RS-232/422/485, line out, 1 VGA, 1 HDMI, DC 9~36V, Phoenix Connector
PPC-123R-2A1	12.1" Fanless 5-wire Resistive Touch Panel PC with Intel® Celeron® N3350, 2 DDR3L, 2 GbE, 4 USB 3.0, 3 RS-232, 1 RS-232/422/485, line out, 1 VGA, 1 HDMI, DC 9~36V, Phoenix Connector

PPC-123

Arestech

→ Dimensions



→ Specifications

Cut out : 297*230 mm

Model		PPC-123P-1A1	PPC-123P-2A1	PPC-123R-1A1	PPC-123R-2A1
Processor System	CPU	Intel® Pentium® N4200	Intel® Celeron® N3350	Intel® Pentium® N4200	Intel® Celeron® N3350
	Frequency	Quad-Core up to 2.5GHz	Dual-Core up to 2.4GHz	Quad-Core up to 2.5GHz	Dual-Core up to 2.4GHz
	L2 Cache	2 MB			
	System Chipset	N/A			
	BIOS	UEFI			
Memory	Technology	DDR3L 1866 MHz SDRAM			
	Max. Capacity	8 GB			
	Socket/ (On Board)	2, (204-pin SO-DIMM)			
Display	Panel Size	12.1" Panel			
	Aspect Ratio	4:3			
	Resolution	1024 x 768 (XGA)			
	Viewing Angle	80 x 80 (H) x 80 x 80 (V)			
	Brightness	300 (cd/m2)			
	Contrast Ratio	600:1			
	VGA / HDMI / DP / DVI	1, VGA, Up to 1920 x 1200 @ 60Hz/ 1, HDMI 1.4b, up to 3840 x 2160 @ 30Hz			
Touchscreen	Multi Display	LCD + VGA or LCD + HDMI			
	Touchscreen Type	Projected Capacitive		5-Wire Resistive	
	Surface Hardness	7 Mohs		3 Mohs	
	Durability	-		36 millions times	
I/O Interface	Transparency	90% (±3%)		80% (±3%)	
	USB	4, 2 USB 3.0 2 USB 2.0			
	Serial Port	4, COM (3 RS-232, 1 RS-232/422/485)			
	Digital I/O	1, 8-pin Digital I/O (DB-9 connector, Option)			
Expansion	Ethernet	Dual GbE, 10/100/1000 Mbps (Intel i211AT)			
	Others	-			
Audio	miniPCIe/ M.2 Slot	1, miniPCIe with SIM			
	PCI/ PCIe Slot	-			
Storage	Connector	Line out, Realtek High Definition Audio (HD)			
	HDD/SSD	1, Internal 2.5" HDD/SSD			
Power	mSATA/ M.2 / eMMC	Supports 1 M.2 B/M Key 2242			
	Power On Model	AT/ATX			
	Power Supply Voltage	Supports 9-36 V DC input			
	Connector Type	2-pin Terminal Block			
	Power Consumption(Typical/Max.)	Typical:11.8W@12V(0.92A), Max:42.3W@12V(3.53A)			
Mounting	Battery	CR2032;3.3V			
	VESA Mount	75mmx 75mm; 100mm x 100mm			
	Panel Mount	Cut out 297 x 230 mm mm, Thickness range under 15 mm			
Environment	Others	-			
	Operating Temperature	-20~60° C (-4~140° F) w/ Extended Operation Temp. RAM & 2.5" SSD			
	Storage Temperature	-40~85° C (-40~185° F)			
	Humidity	5~95% @ 40° C, non-condensing			
	Vibration	1 Grms, IEC 60068-2-64, random, 5~500 Hz, 1 Oct/min., 1hr/axis, x, y, z 3 axes			
General	Shock	20 G, IEC 60068-2-27, half sine, 11 ms duration			
	Certification	TBD			
	Thermal Dissipation	Fanless			
	Material, Surface Finish	SECC Front Cover			
	Ingress Protection	Front Cover IP54 Protection			
	Dimensions (L x W x H)	319.6 x 253.6 x 74.08 mm (12.58"x 9.98"x 2.72")			
Net Weight	3.75kg(8.27lb)				
Operating System	Windows 10 IoT 64Bit, Linux kernel 4.0.x or above				