

15.6" Full HD IP66/69K Waterproof Stainless Steel Projected Capacitive Touch Panel PC with Intel® Pentium® N4200 Processor



Features

- 15.6" LCD Panel with Projected Capacitive Touch
- Intel® Pentium® N4200 Processor
- Support 1920 x1080 Full HD resolution
- Completely Flat Front Panel Design
- Stainless Steel SUS316, Full IP66/69K Waterproof
- Support VESA Mounting and Yoke Mounting

Applications

- Food & Beverage Processing Application
- Hospitality and Catering Service
- Pharmaceutical and Biopharmaceutical Equipment
- Animal Feed Production Facility
- Chemical, Gas & Oil Critical Environment

→ Packing List

Description
1 x PPC-Z153PW

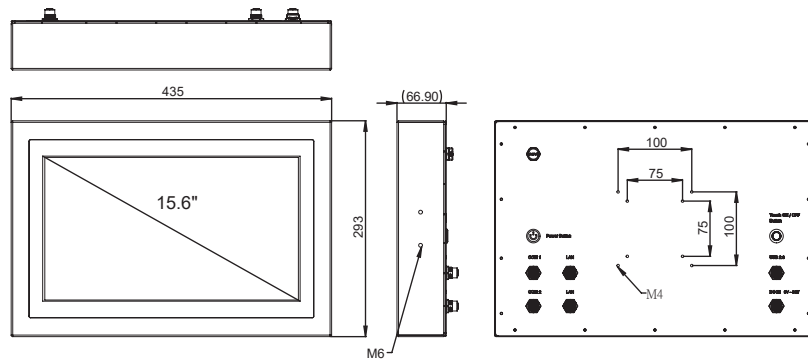
→ Optional Items

Part No.	Description
APW-60M12V-01	12V, 60W, 5A, 5-pin M12 Connector (US)
APW-60M12V-02	12V, 60W, 5A, 5-pin M12 Connector (EU)
AKT-USB2M12	M12 Connector to 2 port USB2.0 Cable, 2m
AKT-COM2M12	M12 Connector to DB9 Cable, 2m
AKT-LAN2M12	M12 Connector to LAN Cable, 2m
ACS-100-STD	VESA Table Stand
AWD-WF006	wifi 802.11 a/b/g/n/ac/BT4.0 (2T2R) + 2 IP66 antenna(dual band), miniPCle Half size
AWD-WF007	wifi 802.11 b/g/n/BT4.0 (1T1R) + 1 IP66 antenna(dual band), mini PCIe Half size

→ Ordering Information

Part No.	Description
PPC-Z153PW-B61A1	15.6" 16:9 (1366 x 768), 300nits, Stainless Steel 316 Full IP66/69K Protection, Fanless Panel PC with Intel® Pentium™ N4200 CPU, Projected Capacitive Touch, 4G RAM, 64G M.2, 1 x M12 for 2 USB2.0, 1 RS-232, 1 RS-232/422/485, 2 GbE, DC 9-36 V (M12 Connector)
PPC-Z153PW-B62A1	15.6" 16:9 (1920 x 1080), 450nits, Stainless Steel 316 Full IP66/69K Protection, Fanless Panel PC with Intel® Pentium™ N4200 CPU, Projected Capacitive Touch, 4G RAM, 64G M.2, 1 x M12 for 2 USB2.0, 1 RS-232, 1 RS-232/422/485, 2 GbE, DC 9-36V (M12 Connector)

→ Dimensions



→ Specifications

Model		PPC-Z153PW-B61A1	PPC-Z153PW-B62A1
Processor System	CPU	Intel® Pentium® N4200	
	Frequency	Quad-Core up to 2.5 GHz	
	L2 Cache	2 MB	
	System Chipset	N/A	
	BIOS	UEFI	
Memory	Technology	DDR3L 1866 MHz SDRAM	
	Max. Capacity	8 GB	
	Socket/ (On Board)	Dual SO-DIMM Socket	
Display	Panel Size	15.6" LCD Panel	
	Aspect Ratio	16:9	
	Resolution	1366 x 768 (HD)	1920 x 1080 (FHD)
	Viewing Angle	85 x 85 (H) x 80 x 80 (V)	85 x 85 (H) x 85 x 85 (V)
	Brightness	300 (cd/m2)	450 (cd/m2)
	Contrast Ratio	500:1	800:1
	VGA / HDMI / DP / DVI	N/A	
Touchscreen	Multi Display	N/A	
	Touchscreen Type	Projected Capacitive	
	Surface Hardness	7 Mohs	
	Durability	N/A	
I/O Interface	Transparency	90% (±3%)	
	USB	1 x M12 for 2 USB2.0 (M12 Connector)	
	Serial Port	2, COM (1 RS232, 1 RS232/422/485), M12 Connector	
	Digital I/O	N/A	
	Ethernet	Dual GbE, 10/100/1000 Mbps (Intel i219V, i211AT), M12 Connector	
Expansion	Others	N/A	
	miniPCIe/ M.2 Slot	1 Mini PCIe (Full-size)	
Audio	PCI/ PCIe Slot	N/A	
	Connector	N/A	
Storage	HDD/SSD	N/A(by option)	
	mSATA/ M.2 / eMMC	Supports 1 M.2 M Key Key 2242 (SATAIII)	
	Power On Model	AT/ATX	
Power	Power Supply Voltage	9~36 V DC input	
	Connector Type	M12 Connector	
	Power Consumption(Typical/Max.)	Typical: 1.2A @ 12 V (14.46W), Max: 2.25A @ 12 V (27W)	
	Battery	Lithium 3 V / 210 mAH	
Mounting	VESA Mount	75mmx 75mm; 100mm x 100mm	
	Panel Mount	N/A	
	Others	Yoke Mount	
Environment	Operating Temperature	-20~60° C (-4~140°F) w/ Extended Temperature RAM & Storage	
	Storage Temperature	-40~85° C (-40~185° F)	
	Humidity	5~95% @ 40° C, non-condensing	
	Vibration	5-500 Hz, 0.026 G ² /Hz, 2.16 Grms, X, Y, Z, 1 hour per axis	
	Shock	20 G, IEC 60068-2-27, half sine, 11 ms duration	
General	Certification	CE/FCC	
	Thermal Dissipation	Fanless	
	Material, Surface Finish	Stainless steel 316, Brush polish	
	Ingress Protection	Full IP66/IP69K Protection	
	Dimensions (L x W x H)	435 x 293 x 66.90 mm (17.12" x 11.53" x 2.63")	
	Net Weight	7.42kg (16.3lb)	
	Operating System	Windows 10 IoT, Linux	