

C2120Z-V

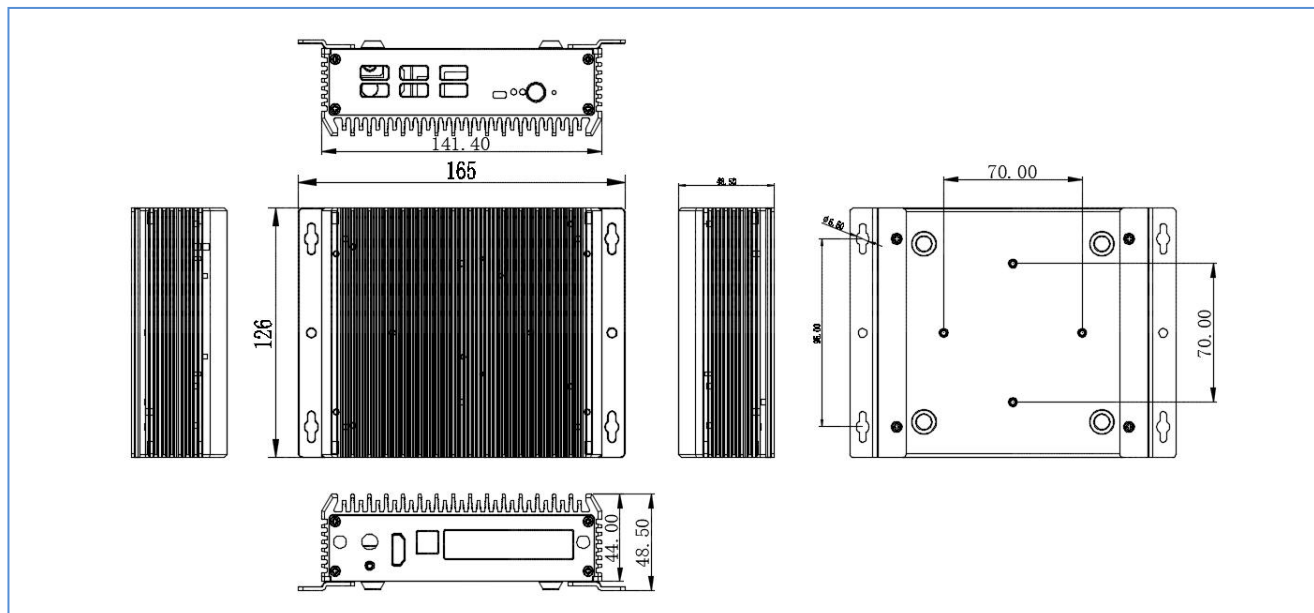


Features

- Intel®Alder Lake-N N97/Turbo 3.6GHz quad core CPU
- 1*SODIMM DDR4, 3200MHz, up to 16GB
- 1*HDMI1.4
- 4*Intel I210 Gigabit Ethernet
- 2*RS232/485 Phoenix connector
- 5*USB3.0, 1*USB2.0
- DC12V
- Fanless design

Model No.	C2120Z-L4 V2.0(N97)	
Chassis	Material/Structure	Aluminum case, fanless design
	Color	Black
	Dimension	L141.4 * W126 * H44MM
	Net Weight	0.9KG
Installation	VESA-mount / wall-mount	
Motherboard	CPU	Onboard Intel®Alder Lake-N N97/Turbo 3.6GHz quad core processor, TDP 12W
	Memory	1* SODIMM DDR4, 3200MHz, up to 16GB
Front Panel Port	POWER	1*Power button, 1*One-key recovery, 1*ACLOSS (auto power ON/OFF)
	LED	1*Power LED, 1*HDD LED
	USB	5*USB3.0, 1*USB2.0
Rear Panel Port	Display	1*HDMI1.4(4096x2160@60Hz)
	LAN	4*Intel I210 Gigabit LAN port, support Wake on LAN, PXE
	COM	2*RS232/RS485 Phoenix connector (2*3P P=2.54)
	Power	1*DC 12V (5.5*2.5)
Storage	M.2	1*M.2/SSD, support Key-M, 2280, NVME PCIE x1/SATA SSD, auto defect
	SATA	1*2.5" SATA port (thickness 7mm)
Expansion	Mini PCIE	1*Min-PCIE, support WiFi / 4G module
OS Support	Windows	Windows 10
	Linux	Ubuntu
	Watch Dog	Support hardware reset function (L256, 0~255 seconds)
Power Supply	Power Type	External power adapter
	Power input	DC 12V
	Consumption	AC TO DC, 36W
Environment	Operating Temp.	-10°C ~ 50°C
	Storage Temp.	-20°C ~ 70°C
	Relative Humidity	5%-95% relative humidity, non-condensing
	Vibration	0.5g rms/5-500HZ/random/operating

Dimension



Front IO View

Rear IO View

Order Information

No.	Model	Processor	Memory	Motherboard	HDD	LAN	COM	HDMI	USB3.0	USB2.0	Power
1	C2120Z-L4 V2.0(N97)	N97/Turbo 3.6G	1*SODDDR4	STX-R305E	M.2+2.5"	4	2	1	5	1	DC 12V

Accessory List

No.	Part No.	Description	Qty	Unit	Remark
1	03.02.N05-NC43L-100	Wall-mount bracket, L126*W28.5*T4.5mm	1	set	Standard Configuration
2	03.02.N04-R305E-10	HDD bracket, L105.58*W20mm	1	pcs	Standard Configuration
3	03.01.DC0-X12V3-86	12V/3A/36W/power adapter	1	pcs	Optional
4	03.01.DC0-KPL60-60	DC12V/5A/60W/DC 2.5/5.5 power adapter	1	pcs	Optional
5	03.03.J01-0H015-00	Power cable_L=1.5m	1	pcs	Optional
6	03.02.N05-B0039-00	VESA-mounting bracket/L110*W110*H4.5mm	1	pcs	Optional