

# BPC-3040

**Arestech**

Fanless Embedded Box PC with Intel® Apollo Lake Pentium® N4200 Processor, Support -20~ 70°C Operation Temperature



BPC-3040-1A1 front I/O



back

## Features

- Intel® Pentium® N4200 Processor
- Support 4 COM, 6 USB or 3 COM, 4 USB and 32bit Programmable Digital I/O
- Support Wide Range 9~36V DC input
- Support -20~ 70°C Extended Operation Temperature
- 1 Mini PCIe and 1 M.2 (for LTE/3G and WLAN Module)

## Applications

- Embedded Control Systems
- ATM / Self-service / Kiosk Applications
- Intelligent Transportation Systems
- Machine Automation

## → Packing List

Description
1 x BPC-3040
1 x Power Adapter
1 x Power Cord

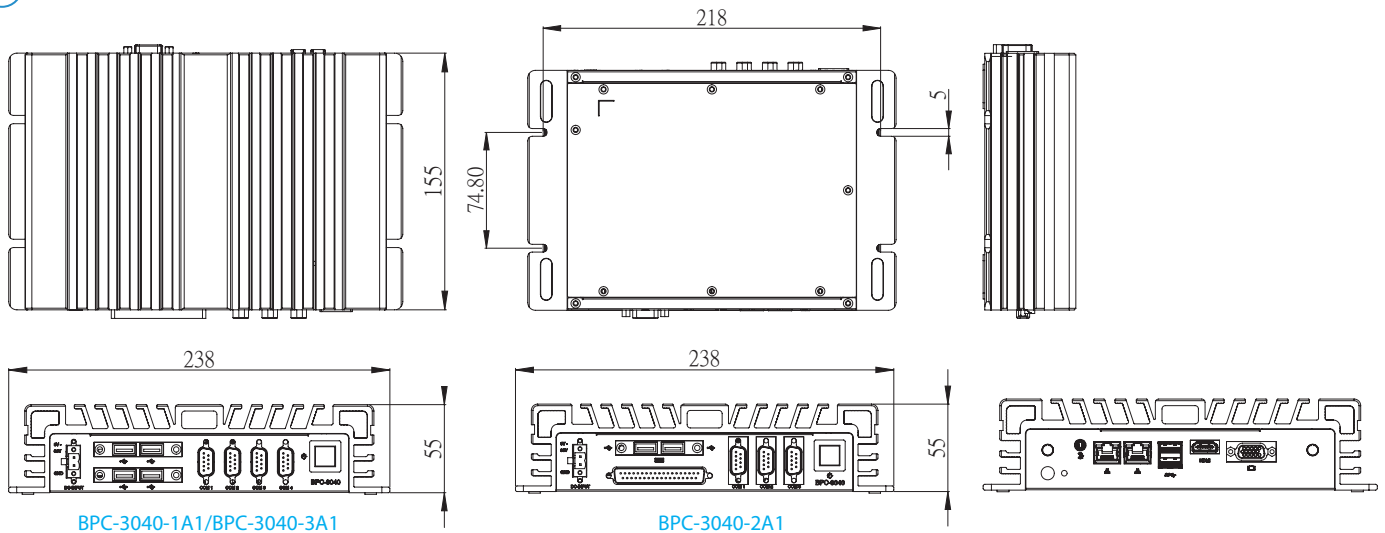
## → Optional Items

Part No.	Description
AWD-4G003	4G(LTE) EG25-G+ 2 antenna, Full size (for global)
AWD-WF001	Wi-Fi 802.11 bgn (1T1R) + 1 Antenna (Single band), Half-size
AWD-WF003	Wi-Fi 802.11 abgn/ac/BT4.0 (2T2R) Module + 2 Antennas (Dual band), Half-size

## → Ordering Information

Part No.	Description
BPC-3040-1A1	Intel® Pentium N4200 2.5GHz Quad Core CPU, 2 x DDR3L memory, 2 x USB3.0, 4 x USB 2.0, 3 x RS-232, 1 x RS-232/422/485, 2 x GbE, line out, mic in, 1 x VGA, 1 x HDMI, DC 9~36V
BPC-3040-2A1	Intel® Pentium N4200 2.5GHz Quad Core CPU, 2 x DDR3L memory, 2 x USB3.0, 2 x USB2.0, 2 x RS-232, 1 x RS-232/422/485, 32bit DIO, 2 x GbE, line out, mic in, 1 x VGA, 1 x HDMI, DC 9~36V
BPC-3040-3A1	Intel® Celeron N3350 2.4 GHz Dual Core CPU, 2 x DDR3L memory, 2 x USB3.0, 4 x USB 2.0, 3 x RS-232, 1 x RS-232/422/485, 2 x GbE, line out, mic in, 1 x VGA, 1 x HDMI, DC 9~36V

## → Dimensions



## → Specifications

Model		BPC-3040-1A1	BPC-3040-2A1	BPC-3040-3A1
Processor System	CPU	Intel® Pentium® N4200 Processor		Intel® Celeron N3350 Processor
	Frequency	Quad Core, 1.1GHz, up to 2.5GHz		Dual Core 1.1GHz up to 2.4GHz
	L2 Cache	2 MB		
	System Chipset	N/A		
Memory	BIOS	UEFI		
	Technology	Dual channel DDR3L 1866 MHz SDRAM		
	Capacity	8 GB		
Display	Socket	2 x 204-pin SO-DIMM		
	Graphics Engine	Intel® HD Graphics 500		
	VGA	Max resolution, Up to 1920 x 1200 @ 60Hz		
	HDMI	HDMI 1.4b, Max Resolution Up to 3840 x 2160 @30Hz		
I/O Interface	Dual Display	VGA + HDMI		
	USB	2 USB 3.0, 4 USB 2.0	2 USB 3.0, 2 USB 2.0	2 USB 3.0, 4 USB 2.0
	Internal USB	N/A		
	Serial Port	3 RS-232, 1 RS-232/422/485	2 RS-232, 1 RS-232/422/485	3 RS-232, 1 RS-232/422/485
Ethernet	GPIO	N/A	32bit Programmable Digital Input / Output	N/A
	Controller	Dual GbE, 10/100/1000 Mbps (Intel i211AT)		
Audio	Chipset	Realtek High Definition Audio (HD)		
	Connectors	Line out		
Expansion	Mini PCIe	1 full-size	N/A	1 full-size
	SIM	with SIM holder		
Storage	SATAII	1 (2.5" HDD/SSD)		
	M.2	1 x 2242 M.2 M-Key (SATA 6Gb/s)		
Power	Power Type	AT / ATX		
	Power Supply Voltage	9-36 V DC input (Phoenix Connector), 6.7-1.7 A		
	Power Consumption (Typical)	0.77 A @ 12 V (9.2 W)	0.783 A @ 12 V (9.4 W)	0.583 A @ 12 V (7 W)
	Power Consumption (Max)	1.67 A @ 12 V (14 W)	1.25 A @ 12 V (15 W)	1.67 A @ 12 V (14 W)
Environment	Mounting	Wall mount		
	Type			
	Operational	-20~70° C (-4~158° F) (Humidity: 60° C @ 80% RH Non-condensing) w/ Extended Temp. RAM & 2.5" SSD		
	Non-Operational	-40~85° C (-40~185° F) (Humidity: 60° C @ 95% RH Non-condensing)		
Certificate	Vibration	5 Grms, IEC 60068-2-64, random, 5~500 Hz, 1 Oct/min., 1hr/axis, x, y, z 3 axes (w/ 2.5" SSD) 1 Grms, IEC 60068-2-64, random, 5~500 Hz, 1 Oct/min., 1hr/axis, x, y, z 3 axes (w/ 2.5" HDD)		
	Shock	50 G, IEC 60068-2-27, half sine, 11 ms duration (w/ 2.5" SSD) 20 G, IEC 60068-2-27, half sine, 11 ms duration (w/ 2.5" HDD)		
General	Certification	CE, FCC Class A		
	Thermal Dissipation	Fanless System		
	Ingress Protection	IP40 Protection		
	Dimensions (W x H x D)	238 x 55 x 165 mm (9.37" x 2.16" x 6.5")		
	Weight	1.78 kg (3.92 lb)	1.8 kg (3.96 lb)	1.78 kg (3.92 lb)
Operating System	Windows 10 (IoT/Professional), Linux			