

# AIIS-3410P (PoE) AIIS-3410U (USB 3.0)

Compact Vision System, Intel® 6th/7th Gen Core i CPU, 4-CH Camera Interface for GigE PoE or USB 3.0, PCIe expansion slot



## Features

- Intel 6th/7th generation Core i CPU (LGA1151)
- AIIS-3410P: 4-CH GbE PoE (Power over Ethernet)
  - Powered device auto detection and classification
  - IEEE 802.3af compliant, supports IEEE 1588
  - Compatible with GigE cameras
- AIIS-3410U: 4-CH USB 3.0 with dedicated controller
  - Maximize the USB3.0 bandwidth for multi-cameras
  - Compatible with USB 3.0 cameras
- Compact & thoughtful design
  - PCIe or PCI extension compatibility
  - Isolated Digital I/O
  - Internal USB 2.0 connector

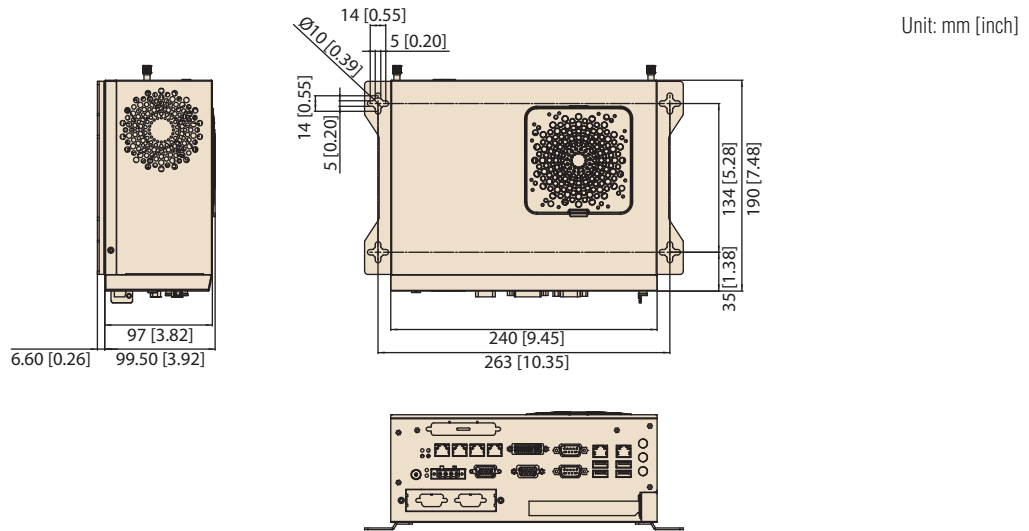
## Specifications

		6th generation CPU				7th generation Core i CPU				
Processor System	CPU	i7-6700	i5-6500	i3-6100	G4400	G3900	i7-7700	i5-7500	i3-7101E	
	Core	4	4	2	2	2	4	4	2	
	Base Frequency	3.4 GHz	3.2 GHz	3.7 GHz	3.3 GHz	2.8 GHz	3.6GHz	3.5GHz	3.9GHz	
	L3 Cache	8 MB	6 MB	4 MB	3 MB	2 MB	8MB	6MB	3MB	
	Chipset	H110								
	BIOS	AMI 128Mb SPI Flash								
Memory	Technology	Dual Channel DDR4 1866/2133 MHz (non-ECC)								
	Max. Capacity	32 GB (16 GB per DIMM)								
	Socket	260-pin SO-DIMM								
Graphics	Chipset Integrated	Integrated Intel HD Graphics								
Ethernet	Interface	10/100/1000 Mbps								
	Controller	LAN1: Intel i219LM, LAN2: Intel i210AT (Both support Wake on LAN)								
Camera Interface PoE (AIIS-3410P)	Controller	CH1 - CH4: Intel i210								
	Compliant	IEEE 802.3af								
	Power Output	15W per channel / 30W for 1 & 2 channel (Note: selected by BIOS)								
Camera Interface USB 3.0 (AIIS-3410U)	Controller	CH1 - CH4: $\mu$ PD720202								
	Compliant	USB 3.0								
	Power Output	4.5W per Channel								
Storage	Internal 2.5" HDD Bay	1 (max. 9.5 mm height)								
	CFast	1								
Expansions	PCIe	1 (PCIe x16 slot with x8 signal), full height: 111.15 mm, length: max. 172 mm								
	miniPCIe	1 (USB2.0/SATA)								
	i-door	1								
Front I/O	Display	VGA + DVI-D								
	USB	4 USB3.0								
	Serial	2 (RS-232/422/485, via BIOS setting ; RS-485 support auto-flow control)								
	Isolated DIO (Default)	4 DI and 4 DO Channels AIIS-E730-AE (16-CH DI, 16-CH DO) High output driving capacity (500 mA max./channel) Interrupt capable for all 16 DI channel								
	Isolated DIO (Optional)	Supports 3-30 V <sub>DC</sub> isolated input channel Dry/Wet contact support High-voltage isolation on output channels (2,500 V <sub>DC</sub> )								
	Internal Connector	USB	1 USB 2.0 connector							
Watchdog Timer	Output	System reset								
	Interval	Programmable 1 ~ 255 sec/min								
Power Requirement	Power Type	ATX/AT								
	Power Input Voltage	19 V <sub>DC</sub> ~ 24 V <sub>DC</sub> ( $\pm$ 10%)								
	Minimum Power Input	DC 19-24V @ 8-6.3A								
	Power Adapter	AC to DC, DC24V/9.16A, 220W (Optional)								
Cooling	System Fan	1 (8 cm/57 CFM)								
Miscellaneous	LED Indicators	Power, HDD, temperature								
	Control	Power on/off switch								
Environment	Temperature	Operating 0 ~ 45 °C (32 ~ 113 °F)*				Non-operating -40 ~ 70 °C (-40 ~ 158 °F)				
	Humidity	10 ~ 95% @ 40 °C, non-condensing								
	Vibration	0.5Grms, random, 5-500Hz, 3 axes, 1 hr/axis				2G, sine wave, 5-500Hz, 3 axes, 1 hr/axis				
	Shock	10G, half sine wave, 11 ms duration								
	Physical Characteristics	Dimension (W x H x D)	240 x 97 x 190 mm (9.45" x 3.82" x 7.48")							
	Weight	2.4 kg (5.29 lb) (w/o CPU cooler)								

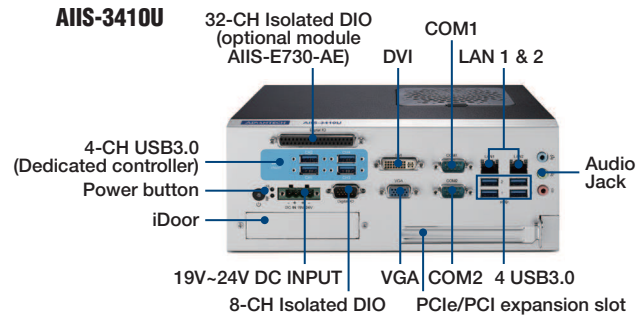
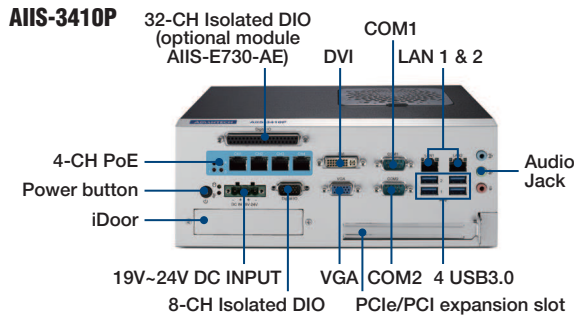
\* Depends on CPU

# AIIS-3410P (PoE) AIIS-3410U (USB 3.0)

## Dimensions



## Front View



## Ordering Information

Part Number	Camera Interface	Display	USB 3.0	Isolated DIO	COM 232/422/485	Expansion slot
AIIS-3410P-00A1E	4-CH GigE PoE	VGA+DVI-D	4	8-CH	2	1 PCIe x8 or 1 PCI*
AIIS-3410U-00A1E	4-CH USB 3.0	VGA+DVI-D	4	8-CH	2	1 PCIe x8 or 1 PCI*

\* Optional PCI riser card

## Packing List

Items	Part Number	Quantity
Bare System	AIIS-3410	1
Startup manual (EN/CN)	2001341000	1
Startup manual (TC)	2001341010	1
Driver CD	2061340011	1
Wallmount Bracket	1960014487T006	2
Hole Protector	1990022908S000	4
CPU Cooler	1960060620N001	1
4-pin Phoenix DC power connector	1652003234	1
2-pin Phoenix DC power connector	1652002205	1

## Embedded OS

Part Number	Description
2070014568	img WES7P AIIS-3400/3410 x64 V5.8.0 10MUI

\*7th generation CPU only supports Win10 OS

## Optional Accessories

Part Number	Description
96PSA-A220W24P4-1	220Watt DC24 Adapter
1702002600	Power cord 3-pin UL/CSA (USA) 125 V 10A 1.83 M 180D
1700022940-01	Power cord PSE 7A 125 V 3P 3 m DAC-ST01
1702002605	Power cord 2P (France) 10A/16A 220 V 1.83 M 90D
1700023217-01	8-CH DIO Cable for Wiring Board
ADAM-3925-AE	8-CH DIO DB-25 Wiring Terminal, DIN-rail Mount
AIIS-DIO32-00A1E	Isolated DIO module, 32-CH, 9-pin USB interface
AIISE7301701-T	Isolated DIO module, 32-CH, MIO with PCIe1 interface
PCL-10137-1E	32-CH DIO Cable 1M for Wiring Terminal
ADAM-3937-BE	32-CH DIO DB-37 Wiring Terminal, DIN-rail Mount
9891341010E	PCI riser module for additional PCI card

Note:

- AIIS-3410 supports the i-door module (both MOS and PCM series). Visit the Advantech website for more information.
- The PCM series module requires a bracket (P/N: 1960065854N001) that must be ordered separately.