

IP65 Front panel Protected 15.6" Stainless Steel Wide Screen Monitor with P-Cap Touchscreen



Features

- IP65 Protected Stainless steel Flat Panel Design
- 15.6" HD LCD Panel up to 1366 x 768 Resolution
- Multi Video Input, Display Port, HDMI and VGA
- Support Remote OSD Control
- IP65 Front USB input
- -20~60° C Operating Temperature
- Panel and VESA Mounting

Applications

- Food & Beverage Processing Application
- Pharmaceutical and Biopharmaceutical Equipment
- Embedded HMI Display System Factory
- Manufacturing Automation
- Chemical, Gas & Oil Critical Environment

→ Packing List

Description
1 x TPM-3315PW
1 x USB Cable
1 x VGA Cable
1 x Power Adapter
12 x Panel Mounting Screws

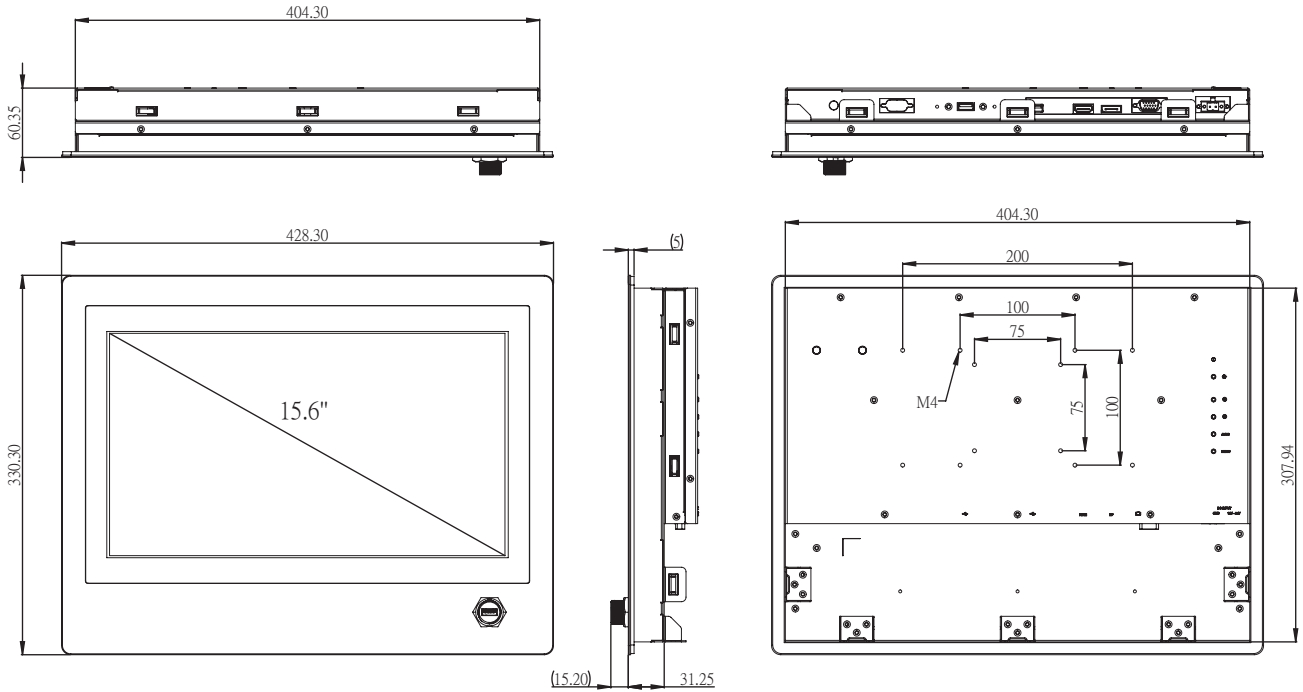
→ Optional Items

Part No.	Description
ACS-100-STD	LCD VESA Table Stand

→ Ordering Information

Part No.	Description
TPM-3315PW-B6A2	15" 16:9 (1366 x 768), 300 nits, Stainless Steel 316 IP65 front panel, with Projected capacitive touch screen, Front End IP66 USB connector, 1 VGA, 1 DP, 1 HDMI, USB interface, DC 12~24V, Phoenix connector

→ Dimensions



Cut out : 406.3 * 310mm

→ Specifications

Model		TPM-3315PW-B6A2
Display	Panel Size	15.6" LCD Panel
	Resolution	1366 x 768 (HD)
	Viewing Angle	80 x 80 (H) x 80 x 80 (V)
	Brightness	300 (cd/m2)
	Color Support	16.7 M
	Contrast Ratio	500 : 1
	Response Time	8 (msec)
Touchscreen	Type	Projected Capacitive
	Surface Hardness	7 Mohs
	Durability	-
	Transparency	90% (±3%)
I/O Interface	Input & Video Interface	Front IP65 USB input, 1 Display Port, 1 HDMI, 1 VGA
	Touch Interface	USB interface
OSD Control	Function Key	1 RS-232, DB-9 Connector Remote OSD control 5 Keys : Menu, Up, Down, Auto Adjust, Monitor Power on/off
Power	Power Connector	Phoenix Terminal Block, 2 pins
	Power Input	12-24 V DC power input, single power source
	Power Consumption (Typical)	10.1 W
Environment	Operating Temperature	-20~60°C (-4~140°F)
	Storage Temperature	-30~70°C (-22~158°F)
	Humidity	5~95% @ 40°C, Non-condensing
	Vibration	5-500Hz, 0.026 G ² /Hz, 2.16 Grms, X, Y, Z, 1 hour per axis
General	Ingress Protection	Stainless Steel, Front Cover IP65 Protection
	Dimensions (W x H x D)	428.3 x 330.3 x 60.35 mm (16.86" x 13.00" x 2.38")
	Weight	6.42 kg (14.16 lb)
	Operating System	Windows 7/8.1/10, WES7-E WES7-P, WE8S, Linux Fedora, Ubuntu