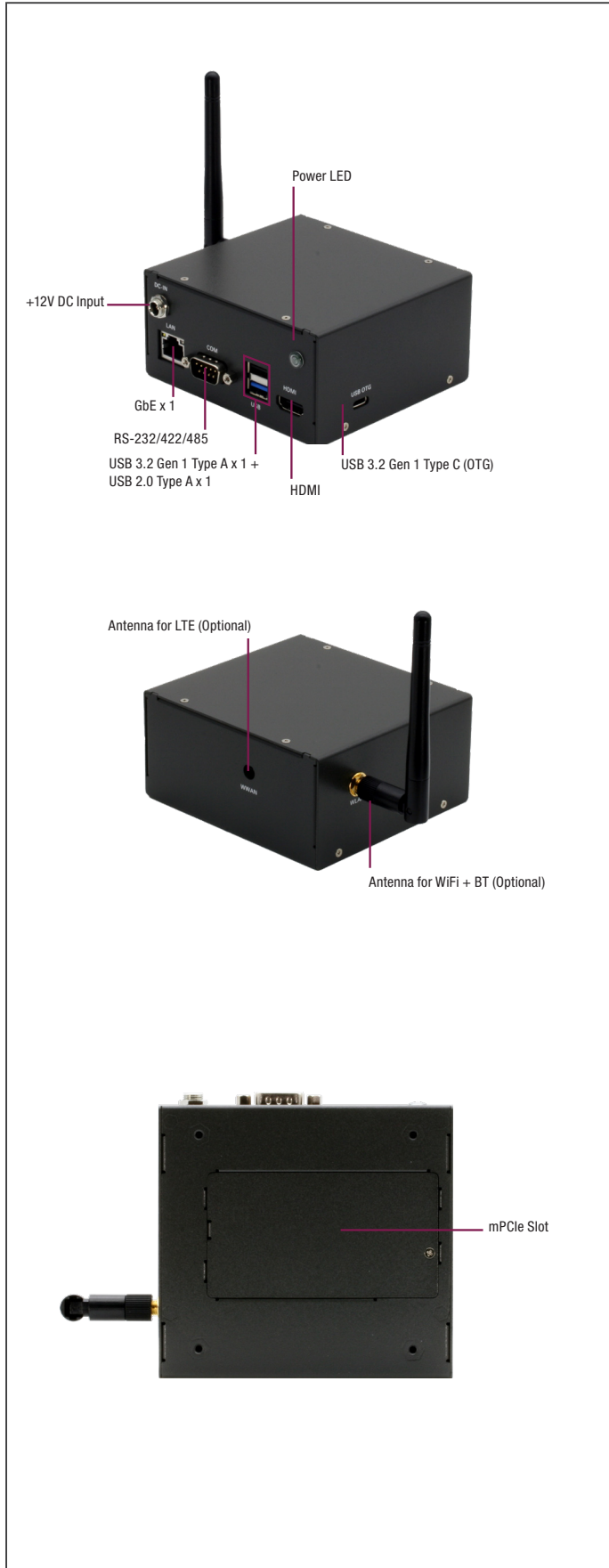


BOXER-RK99

Fanless Embedded Box PC with Rockchip RK3399



Features

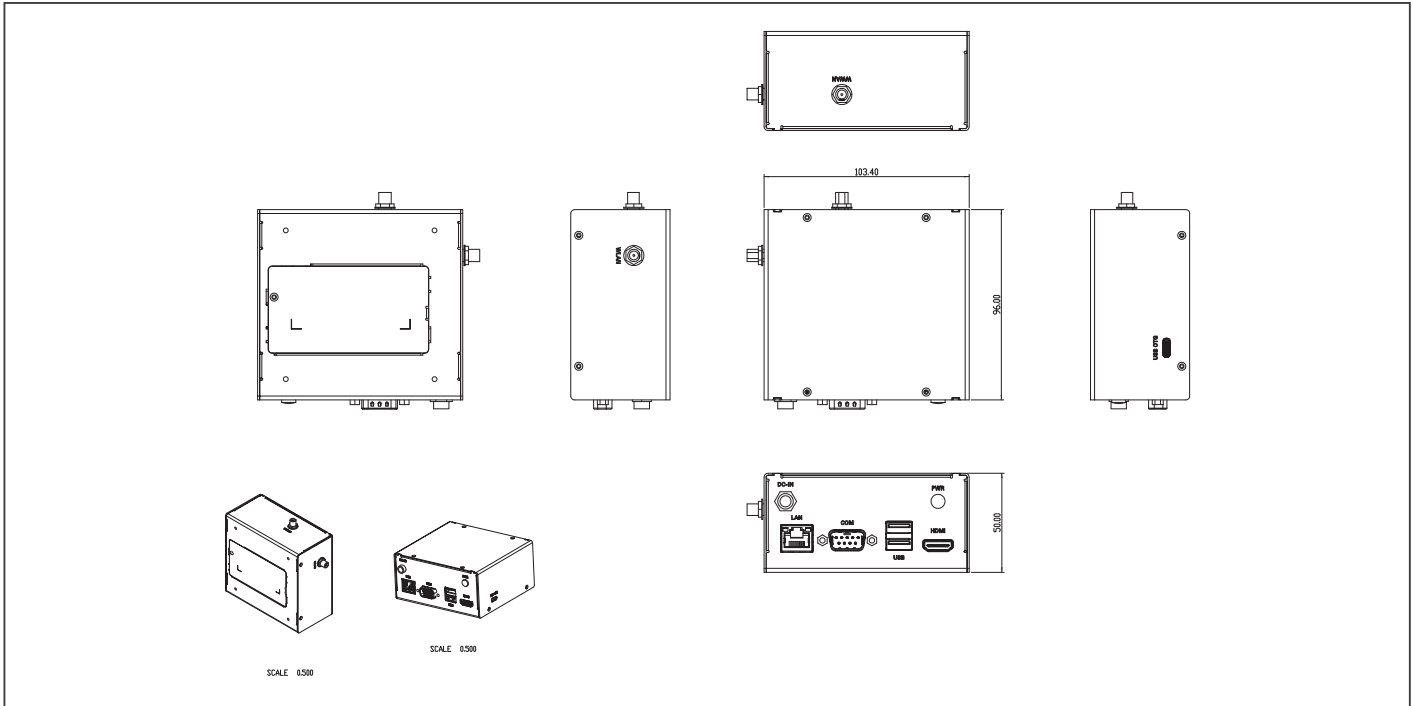
- Rockchip RK3399
- LPDDR3 2GB/4GB (Optional)
- eMMC 16GB and Micro-SD Card Slot
- HDMI (2.0) Port x 1
- WiFi 802.11 b/g/n, BT V4.2
- GbE: RJ45 x 1
- USB 3.2 Gen 1: Type C OTG x 1, Type A x 1
- USB 2.0: Type A x 1
- RS-232/422/485 x 1, RS-232 x 1 (Optional)
- mPCIe Slot x 1
- +12V DC Input
- OS Support: Android 8.1
- Compact Size (W x D x H): 103.4 mm x 96 mm x 50 mm

Specifications

System	
CPU	Rockchip RK3399 ARM Cortex™-A72 Dual-core 1.8GHz and Cortex™-A53 Quad-core 1.4GHz
GPU	Mali-T864
Chipset	—
Graphics	Video Decode: MPEG-1, MPEG-2, MPEG-4, H.263, H.264, H.265, VC-1, VP8, VP9, MVC Video Encode: H.264 UP to HP@level4.1, MVC and VP8
System Memory	LPDDR3 2GB/4GB (Optional)
Display Interface	HDMI (2.0) up to 4K x 2K @ 60Hz
Storage/SSD	16GB eMMC and Micro-SD card
I/O	Micro-SD Card Slot x 1 HDMI (2.0) Port x 1 Antenna Connector for WiFi 802.11 b/g/n, BT V4.2 Antenna Connector for LTE (Optional) GbE: RJ45 x 1 USB 3.2 Gen 1: Type C OTG x 1, Type A x 1 USB 2.0: Type A x 1 RS-232/422/485 x 1, RS-232 x 1 (Optional)
Expansion	mPCIe Slot x 1 for LTE module
Indicator	Power LED x 1
OS Support	Android 8.1
Power Supply	
Power Requirement	+12V DC input
Mechanical	
Mounting	VESA mount, 75mm x 75mm
Dimension (W x D x H)	4.07" x 3.78" x 1.97" (103.4 mm x 96 mm x 50 mm)
Gross Weight	1.1 lb (0.5 Kg)
Net Weight	0.66 lb (0.3 Kg)
Environmental	
Operating Temperature	32°F ~ 140°F (0°C ~ 60°C)
Storage Temperature	-40°F ~ 176°F (-40°C ~ 80°C)
Storage Humidity	0% ~ 90% relative humidity, non-condensing
Anti-Vibration	—
Certification	CE/FCC/IC

Dimension

Unit: mm



Packing List

- BOXER-RK99

Optional Accessories

- 125530060Y
12V / 60W Power Adapter
- 175990001X
WiFi 2.4GHz, External Antenna
- 9741EG25G0
EG25-G, W/ SIM Card Holder, RF Cable, External Antenna
- M04BIBX000
Wall-mount Plate

Ordering Information

Part Number	CPU	RAM	Storage	LAN	RS-232	USB	Display	WiFi & BT	3G/LTE Slot
BOXER-RK99-A10-0001	ARM Dual Cortex-A72 + Quad Cortex-A53	2GB LPDDR3	16GB eMMC	GbE x 1	1 (RS-232/422/485)	3	1 (HDMI)	802.11 a/b/g BT4.2 + EDR	1 (mPCIe Slot)