

15" IP66/69K Waterproof Stainless Steel 5 Wire Resistive Touch Panel PC with Intel® Pentium® N4200 Processor



Features

- 15" LCD Panel with 5-Wire Resistive
- Intel® Pentium® N4200 Processor
- Support 1024 x768 resolution
- Completely Flat Front Panel Design
- Stainless Steel SUS316, Full IP66/69K Waterproof
- Support VESA Mounting and Yoke Mounting

Applications

- Food & Beverage Processing Application
- Hospitality and Catering Service
- Pharmaceutical and Biopharmaceutical Equipment
- Animal Feed Production Facility
- Chemical, Gas & Oil Critical Environment

→ Packing List

Description
1 x PPC-Z153R

→ Optional Items

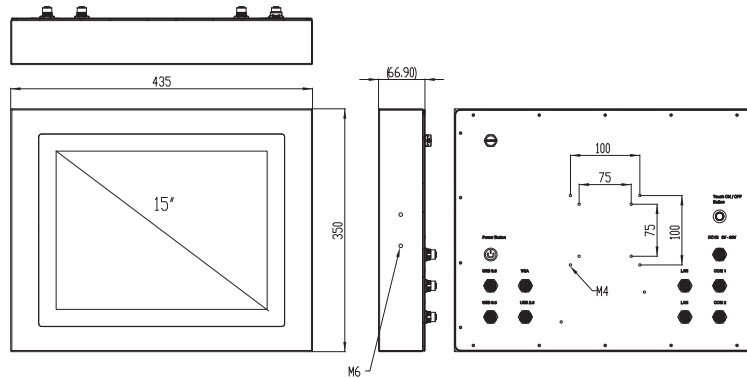
Part No.	Description
APW-60M12V-01	12V, 60W, 5A, 5-pin M12 Connector (US)
APW-60M12V-02	12V, 60W, 5A, 5-pin M12 Connector (EU)
AKT-USB2M12	M12 Connector to 2 port USB2.0 Cable, 2m
AKT-USB31M12	M12 Connector to USB3.0 Cable, 1.8m
AKT-COM2M12	M12 Connector to DB9 Cable, 2m
AKT-LAN2M12	M12 Connector to LAN Cable, 2m
ACS-100-STD	VESA Table Stand
AWD-WF006	wifi 802.11 a/b/g/n/ac/BT4.0 (2T2R) + 2 IP66 antenna(dual band), miniPCle Half size
AWD-WF007	wifi 802.11 b/g/n/BT4.0 (1T1R) + 1 IP66 antenna(dual band), mini PCIe Half size

→ Ordering Information

Part No.	Description
PPC-Z153P-B6A1	15" 4:3 (1024 x 768), 300nits, Stainless Steel 316 Full IP66/69K Protection, Fanless Panel PC with Intel® Pentium™ N4200 CPU, Projected Capacitive Touch, 4G RAM, 64G M.2, 1 VGA, 2 USB 3.0, 1 x M12 for 2 USB2.0, 1 RS-232, 1 RS-232/422/485, 2 GbE, DC 9-36 V(M12Connector)
PPC-Z153R-B6A2	15" 4:3 (1024 x 768), 300nits, Stainless Steel 316 Full IP66/69K Protection, Fanless Panel PC with Intel® Pentium™ N4200 CPU, 5-Wire Resistive Touch, 4G RAM, 64G M.2, 1 VGA, 2 USB 3.0, 1 x M12 for 2 USB2.0, 1 RS-232, 1 RS-232/422/485, 2 GbE, DC 9-36 V(M12 Connector)

PPC-Z153R

→ Dimensions



→ Specifications

Model		PPC-Z153P-B6A1	PPC-Z153R-B6A2
Processor System	CPU	Intel® Pentium® N4200	
	Frequency	Quad-Core up to 2.5 GHz	
	L2 Cache	2 MB	
	System Chipset	N/A	
	BIOS	UEFI	
Memory	Technology	DDR3L 1866 MHz SDRAM	
	Max. Capacity	8 GB	
	Socket/ (On Board)	Dual SO-DIMM Socket	
Display	Panel Size	15" LED Panel	
	Aspect Ratio	4:3	
	Resolution	1024 x 768 (XGA)	
	Viewing Angle	80 x 80 (H) x 80 x 80 (V)	
	Brightness	300 (cd/m2)	
	Contrast Ratio	600:1	
	VGA / HDMI / DP / DVI	VGA, 1920 x 1200 @ 60Hz	
Touchscreen	Multi Display	N/A	
	Touchscreen Type	Projected Capacitive Touch	5-Wire Resistive
	Surface Hardness	7 Mohs	3 Mohs
	Durability	N/A	N/A
I/O Interface	Transparency	90% (±3%)	80% (±3%)
	USB	4, 2 USB 3.0, 1 x M12 for 2 USB2.0 (M12 Connector)	
	Serial Port	2, COM (1 RS232, 1 RS232/422/485) (M12 Connector)	
	Digital I/O	N/A	
	Ethernet	Dual GbE, 10/100/1000 Mbps (Intel i219V, i211), M12 Connector	
Expansion	Others	N/A	
	miniPCIe/ M.2 Slot	1 Mini PCIe (Full-size)	
Audio	PCI/ PCIe Slot	N/A	
	Connector	N/A	
Storage	HDD/SSD	N/A(by option)	
	mSATA/ M.2 / eMMC	Supports 1 M.2 B/M Key 2242	
	Power On Model	AT/ATX	
Power	Power Supply Voltage	9~36 V DC input	
	Connector Type	M12 Connector	
	Power Consumption(Typical/Max.)	Typical : 1.2A @ 12 V (14.46W), Max : 2.25A @ 12 V (27W)	
	Battery	Lithium 3 V / 210 mAH	
Mounting	VESA Mount	75mmx 75mm; 100mm x 100mm	
	Panel Mount	N/A	
	Others	Yoke Mount	
Environment	Operating Temperature	-20~60° C (-4~140°F) w/ Extended Temperature RAM & Storage	
	Storage Temperature	-40~85° C (-40~185° F)	
	Humidity	5~95% @ 40° C, non-condensing	
	Vibration	5-500 Hz, 0.026 G ² /Hz, 2.16 Grms, X, Y, Z, 1 hour per axis	
	Shock	20 G, IEC 60068-2-27, half sine, 11 ms duration	
General	Certification	CE/FCC	
	Thermal Dissipation	Fanless	
	Material, Surface Finish	Stainless steel 316, Brush polish	
	Ingress Protection	Full IP66/IP69K Protection	
	Dimensions (L x W x H)	435 x 350 x 66.9 mm (17.12" x 13.77" x 2.63")	
	Net Weight	7.41 kg	
	Operating System	Windows 10 IoT, Linux	