



Intel® Atom™ E3800 Series 10.1" Light Industrial Touch Panel PC

KS101-BT

Atom

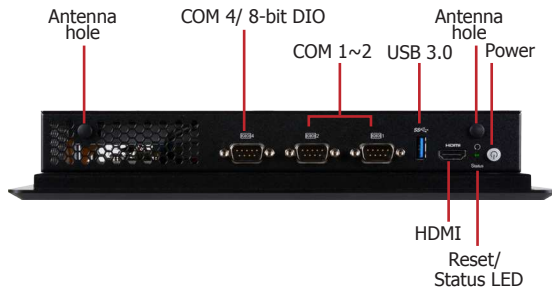


Features

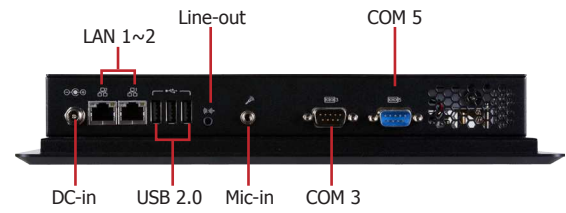
- 10.1" 1280x800 TFT LCD Panel with Touch Screen
- 1x 2.5" SATA drive bay
- IP65 Front Panel Protection
- VESA/Panel Mount
- Rich I/O: 2 LAN, 5 COM, 1 USB 3.0, 3 USB 2.0



Panel

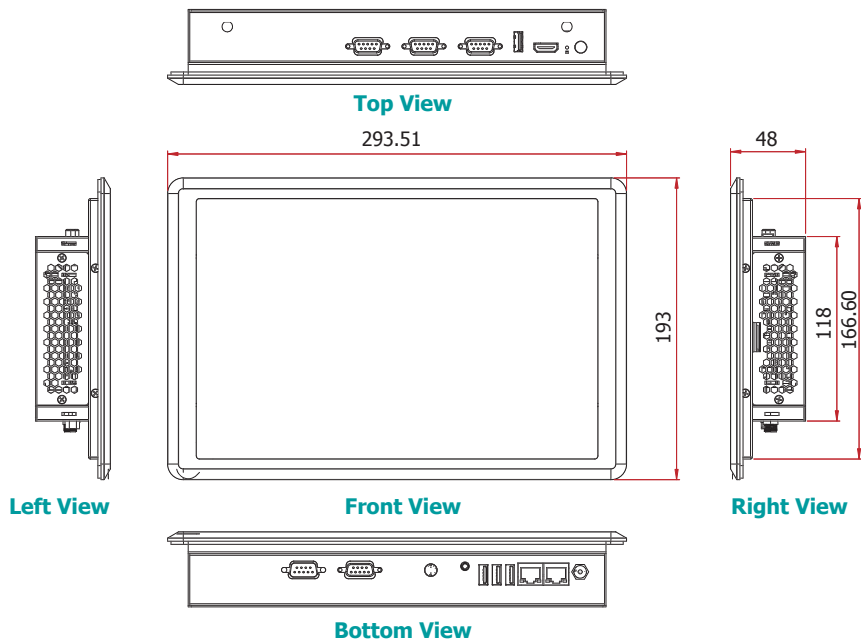


Top View



Bottom View

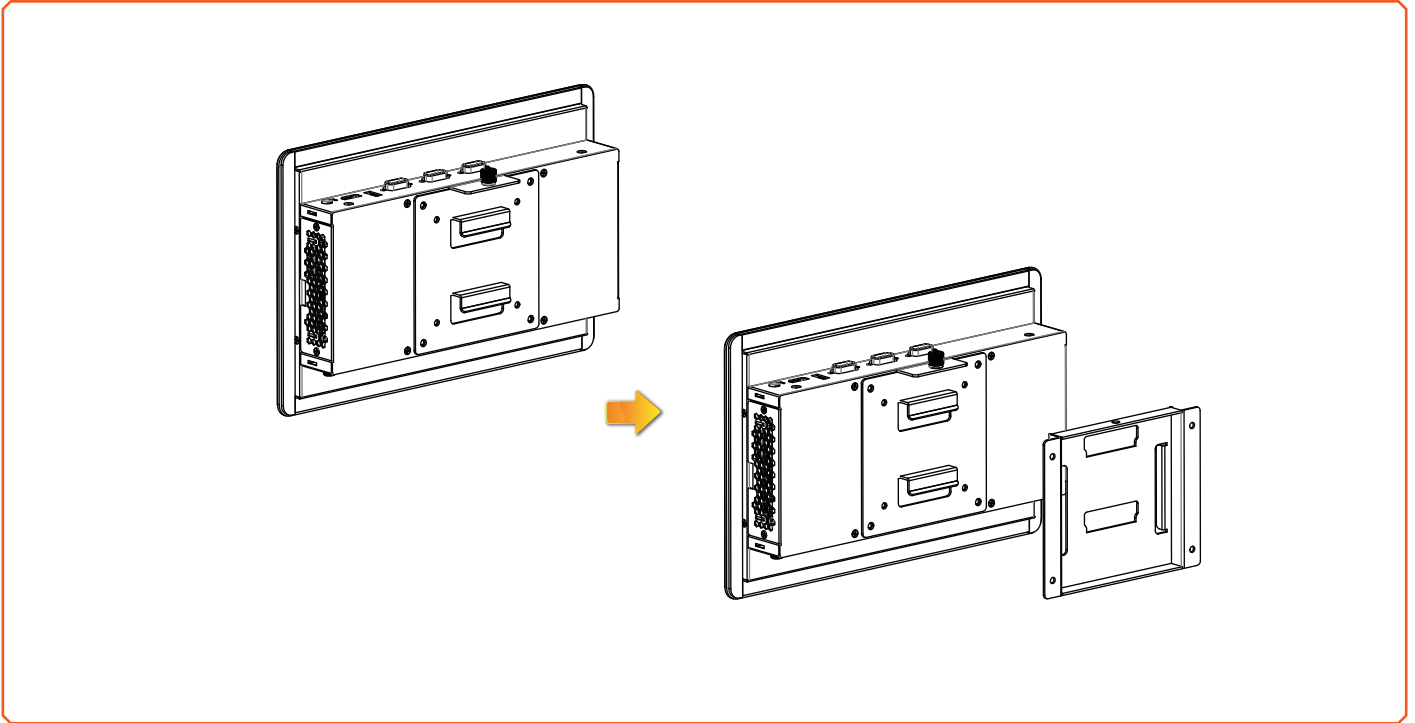
Dimensions



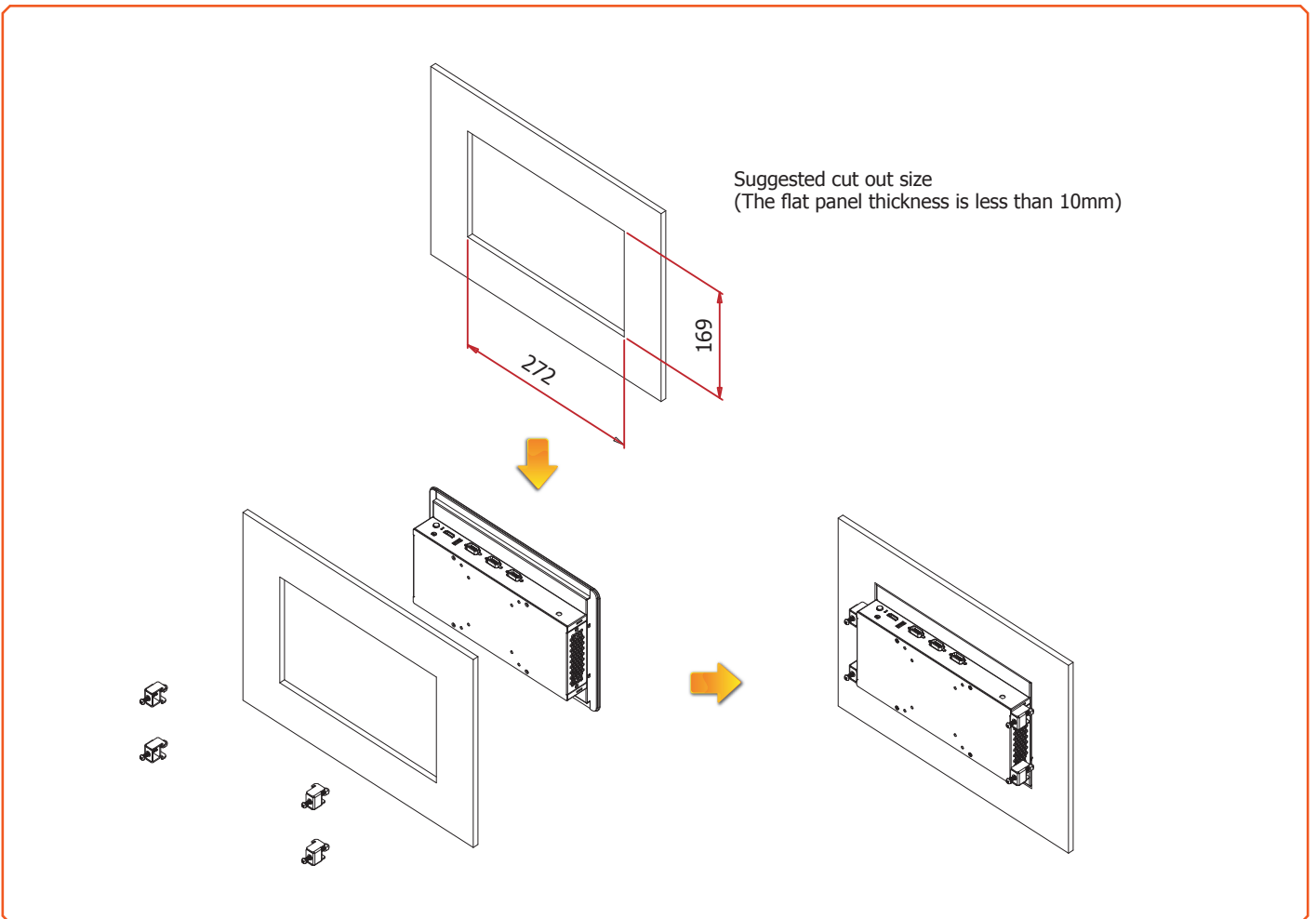
► Specifications

SYSTEM	Processor	Intel® Atom™ Processor E3800 Series, BGA 1170 Intel® Atom™ Processor E3845, Quad Core, 2M Cache, 1.91GHz, 10W Intel® Celeron® Processor J1900, Quad Core, 2M Cache, 2GHz (2.42GHz), 10W
	Memory	4GB/2GB Memory Down Single Channel DDR3L 1333MHz
	BIOS	AMI SPI 64Mbit
	DISPLAY AND TOUCH SCREEN	
DISPLAY AND TOUCH SCREEN	Display	10.1" 1280x800 TFT LCD Panel with Capacitive Touch Screen
	Brightness	500 cd/m ²
	Contrast	800:1
	Backlight Lifetime	50,000 hours
GRAPHICS	Controller	Intel® HD Graphics
	Feature	DirectX 11, OCL 1.2, OGL 4.0 H.264, MPEG2, MVC, VC-1, WMV9, VP8 (supported version dependent on OS)
	Display	1 x HDMI HDMI: resolution up to 1920x1080 @ 60Hz
	Single Display	HDMI
STORAGE		1 x 2.5" SATA 2.0 Drive Bay 1 x micro SD (available upon request)
EXPANSION	Interface	1 x Full-size Mini PCIe (PCIe/USB/4G) 1 x Full-size Mini PCIe (mSATA) 1 x Half-size Mini PCIe (PCIe/USB/LPC)
AUDIO	Audio Codec	Realtek ALC888 5.1-channel
ETHERNET	Controller	2 x Intel® I210AT PCIe (10/100/1000Mbps)
LED	Indicators	1 x Power LED 1 x HDD LED
TOP I/O	Serial	3 x RS-232/422/485 (DB-9) (one supports 8-bit DIO)
	USB	1 x USB 3.0 (type A)
	Display	1 x HDMI
	Buttons	1 x Power Button 1 x Reset Button
	Wi-Fi Antenna	2 x Wi-Fi Module Antenna Hole
BOTTOM I/O	Ethernet	2 x GbE (RJ-45) (10/100/1000Mbps)
	Serial	1 x RS-232/422/485 (DB-9) 1 x RS-232 (DB-9)
	USB	3 x USB 2.0 (type A)
	Audio	1 x Line-out 1 x Mic-in
	WATCHDOG TIMER	Output & Interval
POWER	Type	12~36V DC
	Connector	DC Jack
OS SUPPORT		Windows 7 Embedded P SKU (32bit/64bit) Ubuntu-15.10 / Yocto Windows 8.1 Embedded (32bit/64bit) Windows 10 IoT Enterprise (32bit/64bit)
MECHANISM	Construction	Sheet Metal
	IP Rating	IP65 Front Panel Protection
	Mounting	Panel/VESA Mount
	Dimensions (W x H x D)	294mm x 48mm x 193mm
	Weight	1.7 Kg
ENVIRONMENT	Operating Temperature	0 to 60°C
	Storage Temperature	-30 to 80°C
	Relative Humidity	5 to 85% RH (non-condensing)
STANDARDS AND CERTIFICATIONS	Shock	OP: 3G Non-OP: 5G
	Vibration	OP Random 5~500Hz 1G Non-OP Sine ware 10~500Hz 3G
	Certifications	TBD

▶ VESA Mounting



▶ Panel Mounting



► Ordering Information

Model Name	Part Number	Description
KS101-BT3845P	750-KS1010-000G	10.1" Panel PC, Intel® Atom™ E3845, 4GB Memory Down
KS101-BT1900P	750-KS1010-100G	10.1" Panel PC, Intel® Celeron® J1900, 2GB Memory Down

► Optional Items

Optional Items	Part Number	Description
HDD	785-S251TBG	2.5" SATA SSD, 1TB MLC, RoHS
	785-S25512G	2.5" SATA SSD, 512GB MLC, RoHS
	785-S25256G	2.5" SATA SSD, 256GB MLC, RoHS
	785-S25128G	2.5" SATA SSD, 128GB MLC, RoHS
	785-S25064G	2.5" SATA SSD, 64GB MLC, RoHS
	785-S25032G	2.5" SATA SSD, 32GB MLC, RoHS
mSATA	638-712807-110G	mSATA Card, 128GB MLC, RoHS
	638-703210-120G	mSATA Card, 32GB MLC, RoHS
	638-701610-100G	mSATA Card, 16GB MLC, RoHS
Wi-Fi	761-110091-000G	Wi-Fi kit, RoHS
Power Cord	785-PWRD	Power cord, Standards (USA/EUR/CH), 1.8m, RoHS
Power Adapter	671-106012-000G	60W, 12V/5A, Level 6, RoHS
Panel Mount	761-KS2020-000G	7" Panel PC Panel Mount Kit, RoHS

► Packing List

• 1 KS101-BT Touch Panel PC
• 1 Poron foam
• 1 Chassis Panel Mount Bracket
• 1 Quick Installation Guide
• 1 CD disk includes:
- Manual