

IPC-5120/7120

Desktop/Wallmount Chassis with front I/O Interfaces for ATX/mATX Motherboard



IPC-5120

IPC-7120

CE FCC

Features

- With front I/O interface and four to seven expansion slots
- Shockproof drive bay for one 5.25" ODD and two 3.5" HDDs
- LED indicators for power status and HDD activity
- Support four to seven half-size add-on cards
- Suitable form factor : IPC-5120 for Micro-ATX MB , IPC-7120 for ATX MB

Specifications

Drive Bay	5.25"	External	1	Internal	-
	3.5"		1		1
Cooling	Fans	1 (12 cm / 85 CFM) + 1 (4 cm / 10 CFM)			
	Air Filter	Yes			
Miscellaneous	LED Indicators	Power status and HDD activity			
	Control	Power switch and system reset button			
Environment	Temperature	Operating	Non-Operating		
		0 ~ 40° C (32 ~ 104° F)	-20 ~ 60° C (-4 ~ 140° F)		
	Humidity	10 ~ 85% @ 40° C, non-condensing			
	Vibration (5 ~ 500 Hz)	1 Grms			
	Shock	2 G			
Physical Characteristics	Dimensions (W x H x D)	IPC-5120: 320 x 164 x 316.5 mm (12.6" x 6.5" x 12.5")			
		IPC-7120: 380 x 164 x 316.5 mm (15" x 6.5" x 12.5")			
	Weight	IPC-5120: 6.54 kg (14.42 lb)			
		IPC-7120: 7.01 kg (15.45 lb)			

Front View

IPC-5120



Inside View



Easy-to-maintain fan filter



Shock-resistant drive bay for holding an internal 3.5" HDD

IPC-7120



Plug ring-lock securely fastens the power cord

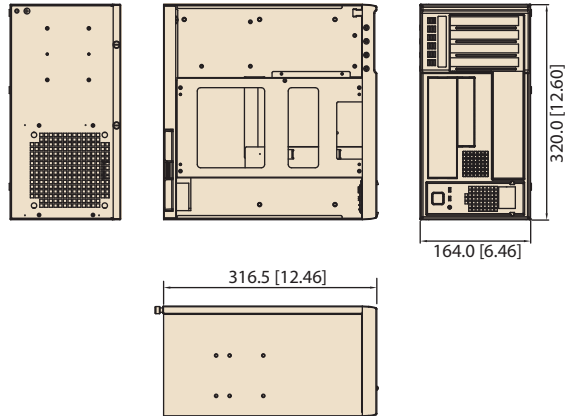


User-friendly mechanical design for installing an add-on card

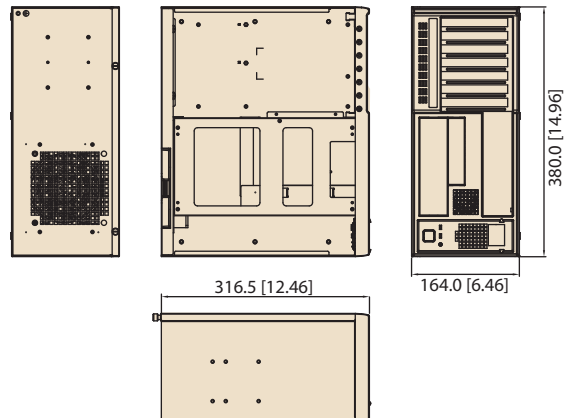
Dimensions

Unit: mm [inch]

IPC-5120



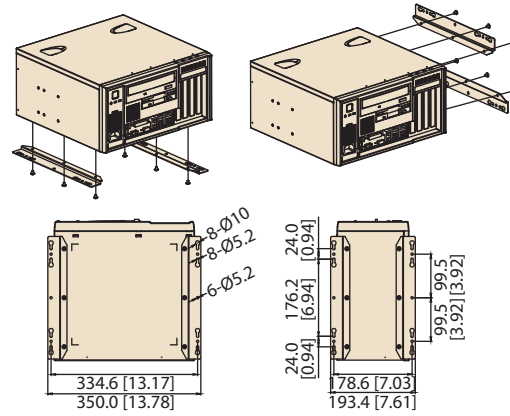
IPC-7120



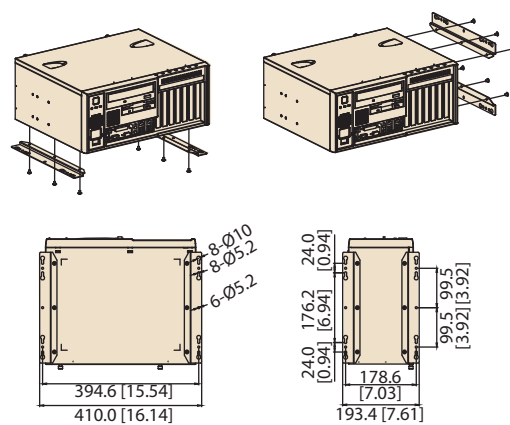
Installation

Unit: mm [inch]

IPC-5120



IPC-7120



Ordering Information

Part Number	Power Supply	Wattage	Switch
IPC-5120 Series			
IPC-5120-25CE	PS8-250FATX-XE	250W	ATX
IPC-5120-35CE	PS8-350FATX-XE	350W	ATX
IPC-7120 Series			
IPC-7120-25CE	PS8-250FATX-XE	250W	ATX
IPC-7120-35CE	PS8-350FATX-XE	350W	ATX

Power Supply Specification

Part Number	80 Plus Grade	Wattage	Type	Input
PS8-250FATX-XE	Bronze	250W	Single	AC 100~240V (full range)
PS8-350FATX-XE	Bronze	350W	Single	AC 100~240V (full range)