

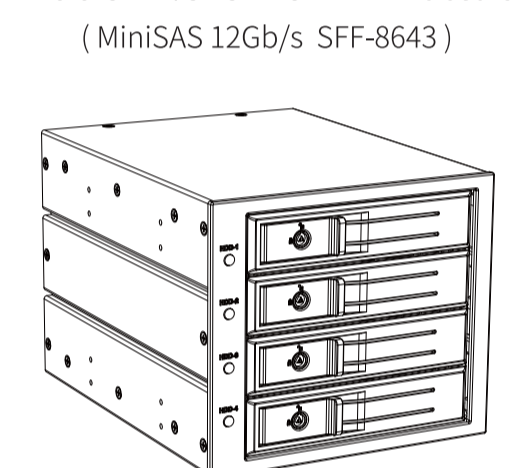
装订成本

90mm

90mm

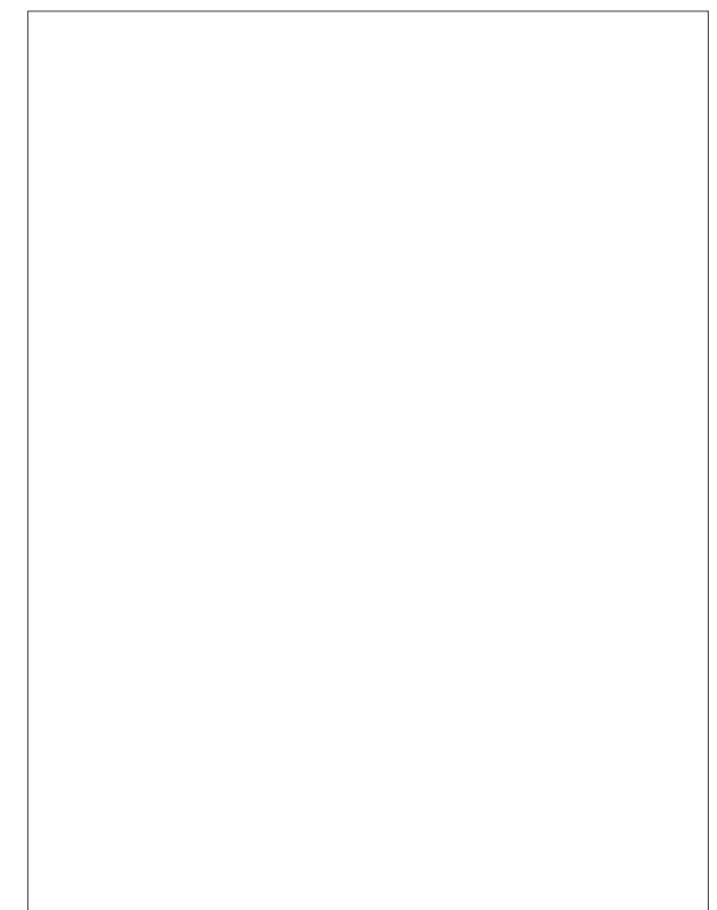
180mm

**MRA504X-12G**  
4x3.5" SATA/SAS 12G HDD Enclosure  
(MiniSAS 12Gb/s SFF-8643)



MRA504-12G: 硬盘仓带独立电源开关  
MRA504N-12G: 硬盘仓无独立电源开关

说明书 | User Manual



**目 录**  
Table of Contents

**中文**

产品简介 ..... 04-05  
安全警告 ..... 04  
插入硬盘 ..... 05  
取出硬盘 ..... 06  
产品功能说明 ..... 07-08  
注意事项 ..... 09

**ENGLISH**

Introduction ..... 10-12  
Installation ..... 13  
Inserting Hard Drive ..... 14  
Removing Hard Drive ..... 15  
How to use ..... 16-17  
Cautions ..... 18

**产品介绍**

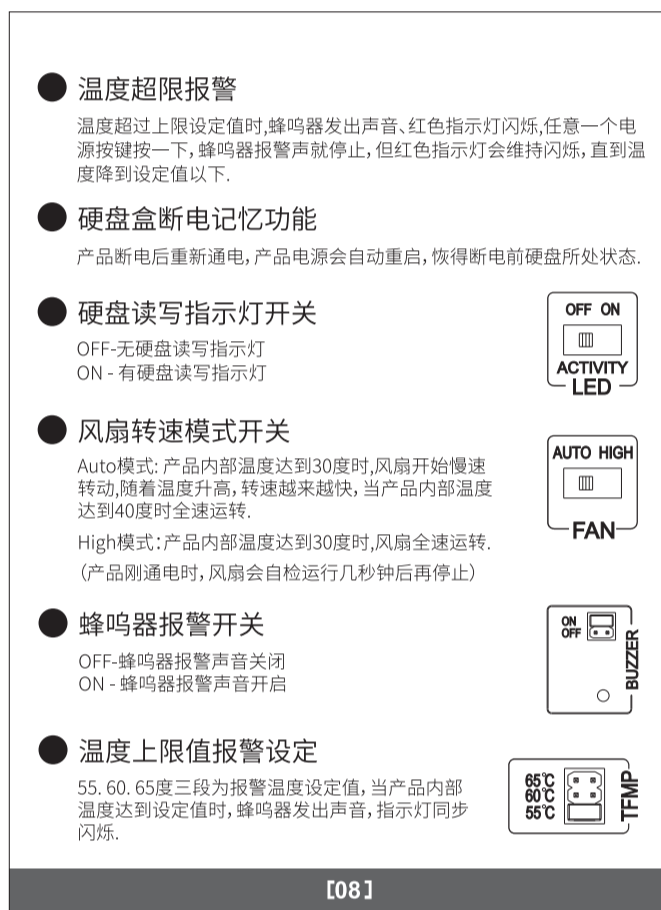
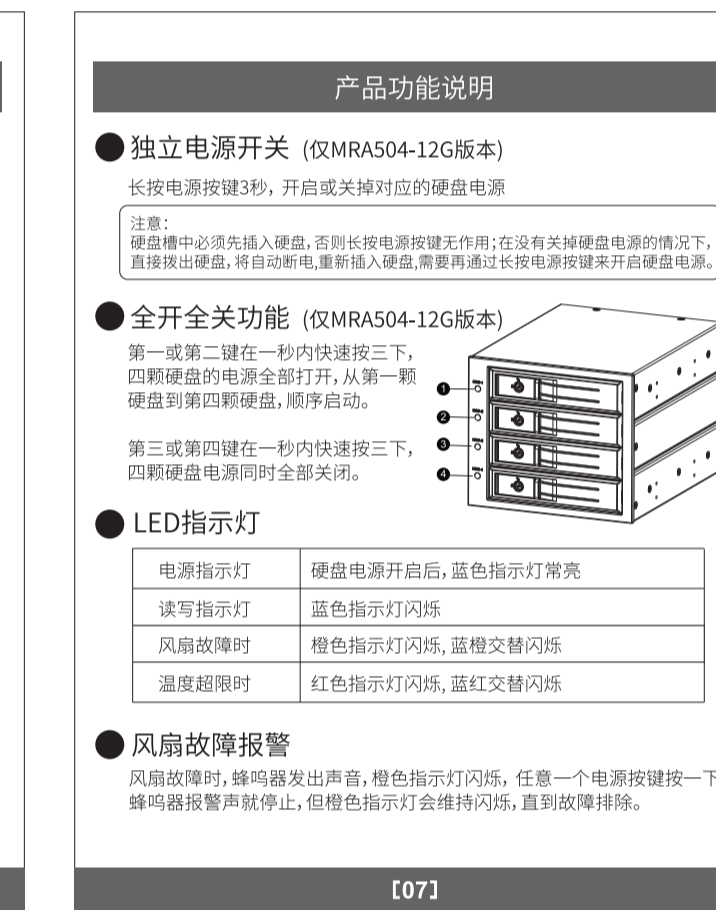
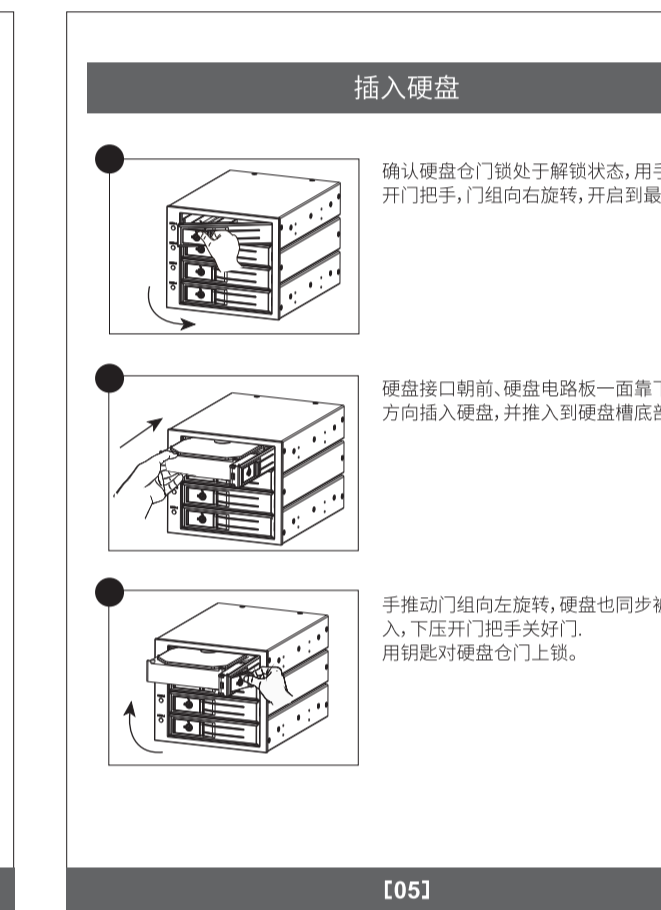
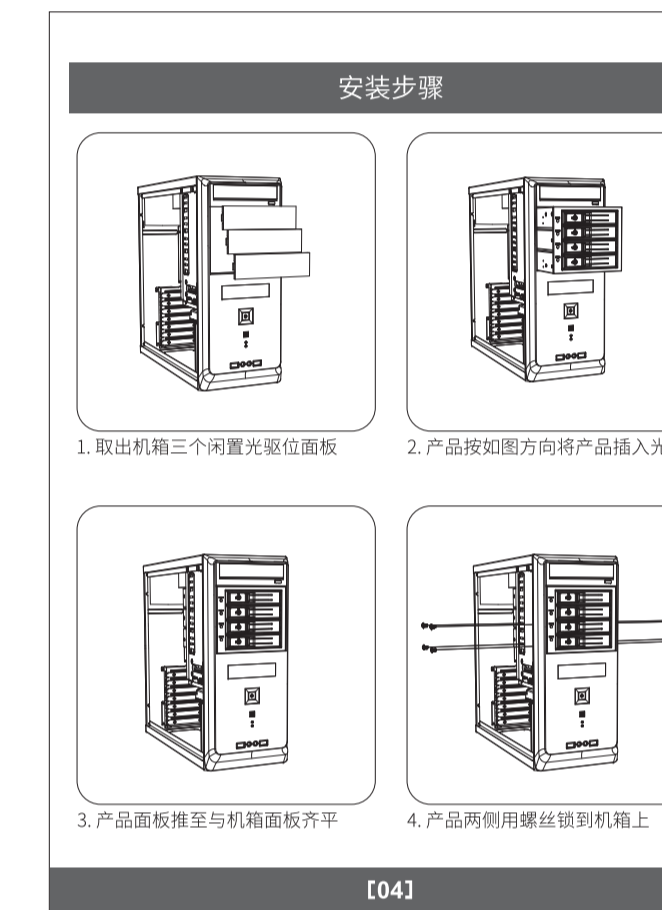
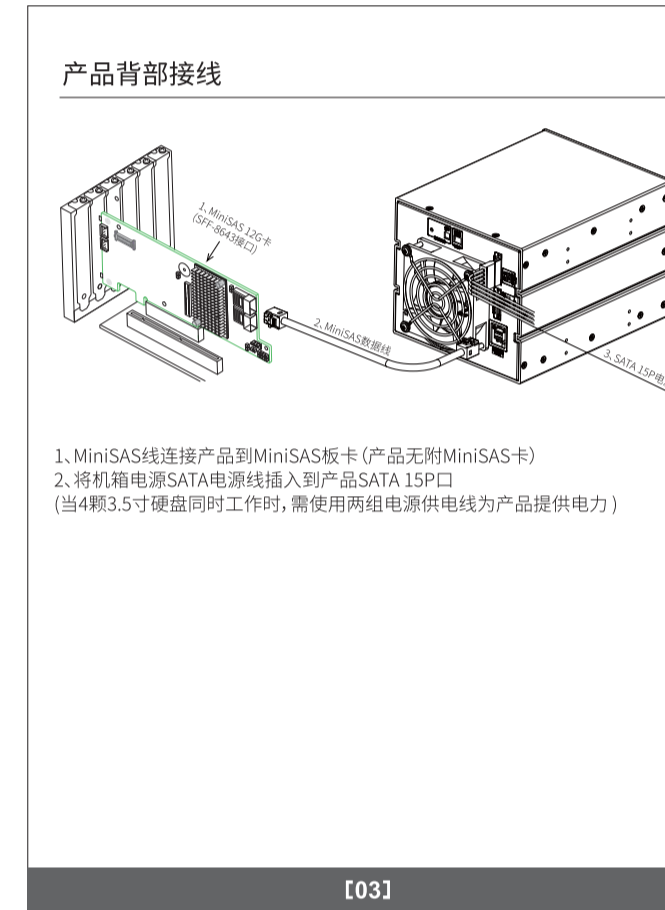
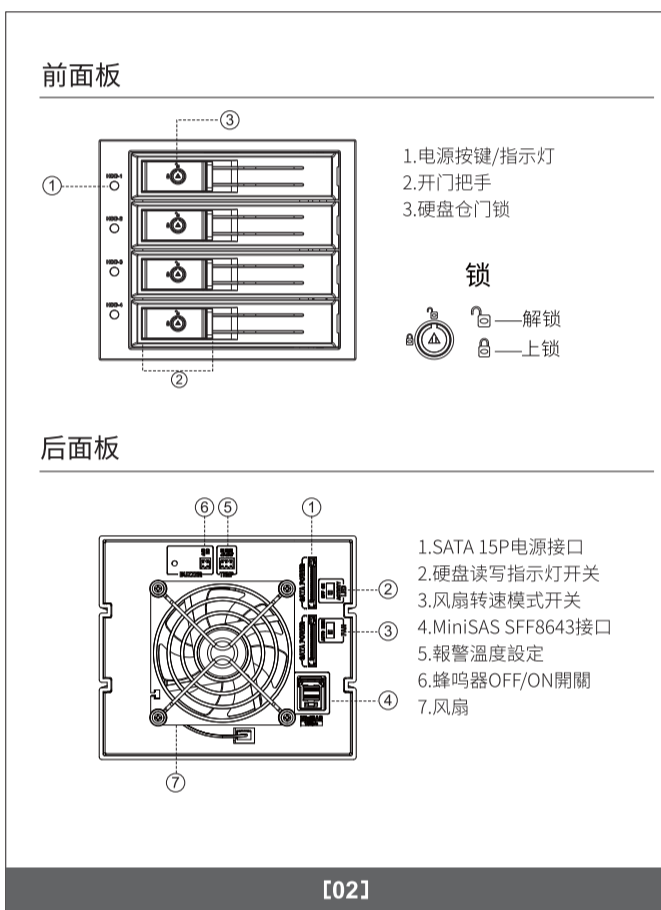
MRA504-12G 支持 4 个 3.5" SATA/SAS 12Gb/s 硬盘，是一款用于 1U 刀片服务器的 4 盘位 12Gb/s SATA/SAS 硬盘托架。产品支持 SATA/SAS 混合配置，支持 3.5" 硬盘和 2.5" 硬盘。产品支持 SATA/SAS 混合配置，支持 3.5" 硬盘和 2.5" 硬盘。产品支持 SATA/SAS 混合配置，支持 3.5" 硬盘和 2.5" 硬盘。

**产品规格**

- 支持硬盘: 4x 3.5" SATA/SAS 12Gb/s (SFF-8643)
- 支持硬盘: 4x 2.5" SATA/SAS 12Gb/s (SFF-8639)
- 支持硬盘: 4x 3.5" SATA/SAS 12Gb/s (SFF-8643)
- 支持硬盘: 4x 2.5" SATA/SAS 12Gb/s (SFF-8639)
- 支持硬盘: 4x 3.5" SATA/SAS 12Gb/s (SFF-8643)
- 支持硬盘: 4x 2.5" SATA/SAS 12Gb/s (SFF-8639)

**包装内容**

MRA504-12G 产品	1 个
硬盘仓钥匙	2 个
MRA504-12G 说明书 (中文)	1 份
说明书	1 份
保修卡	1 份



**注意事项**


- 插入硬盘前，请从刀片服务器中取出硬盘托架，并检查刀片服务器中是否有硬盘托架。
- 产品背部接线图仅供参考，具体接线请参考刀片服务器说明书。
- 请勿在高温环境下使用本产品，环境温度不得超过 40°C。

90mm

90mm

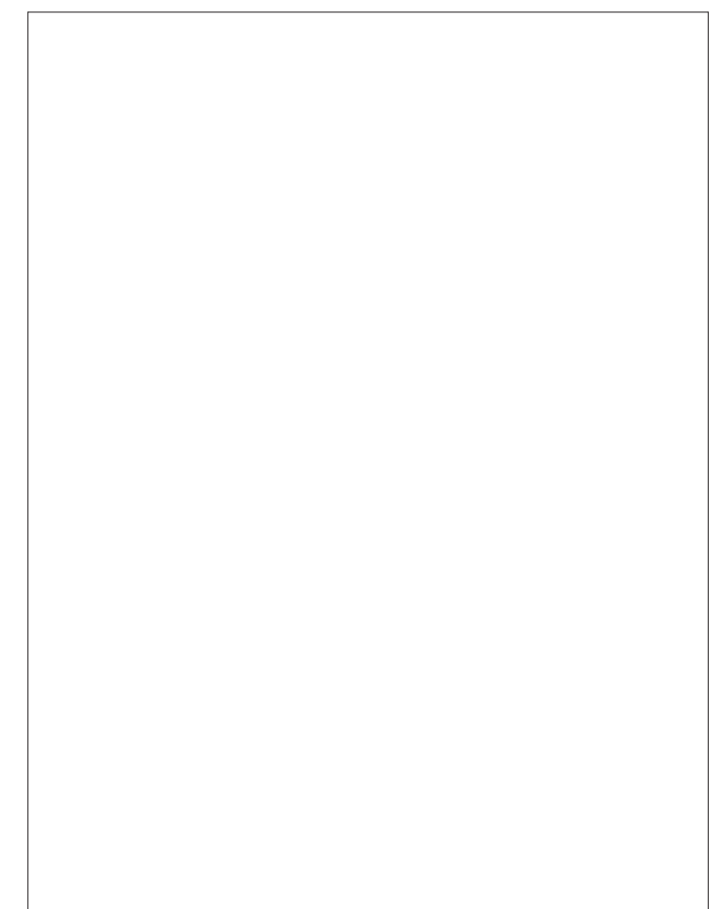
180mm

**MRA504X-12G**  
4x3.5" SATA/SAS 12G HDD Enclosure  
(MiniSAS 12Gb/s SFF-8643)



MRA504-12G: 带电源开关  
MRA504N-12G: 无电源开关

说明书 | User Manual



**目 录**  
Table of Contents

**中文**

产品简介 ..... 04-05  
安全警告 ..... 04  
插入硬盘 ..... 05  
取出硬盘 ..... 06  
产品功能说明 ..... 07-08  
注意事项 ..... 09

**ENGLISH**

Introduction ..... 10-12  
Installation ..... 13  
Inserting Hard Drive ..... 14  
Removing Hard Drive ..... 15  
How to use ..... 16-17  
Cautions ..... 18

**Introduction**

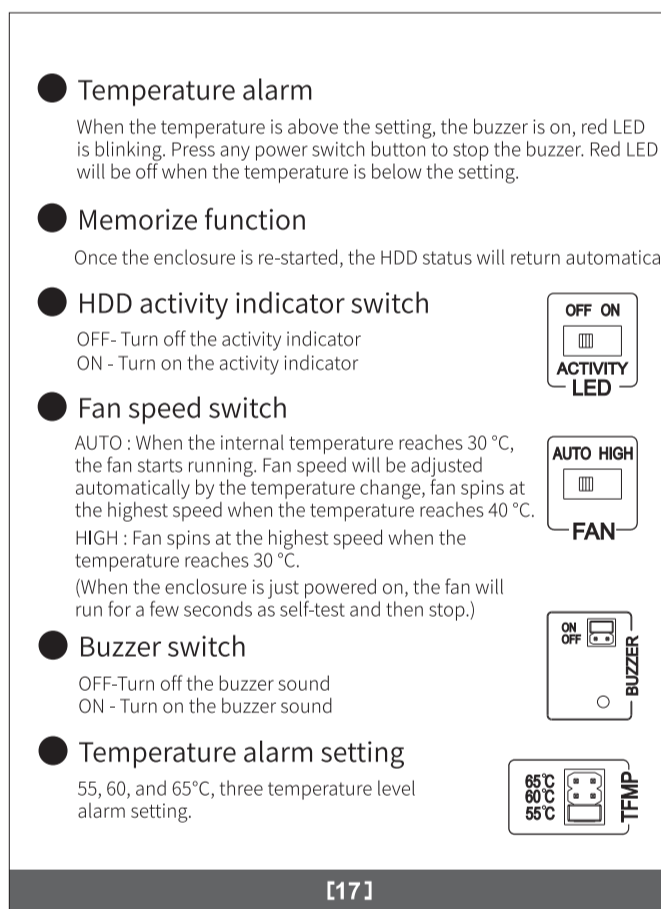
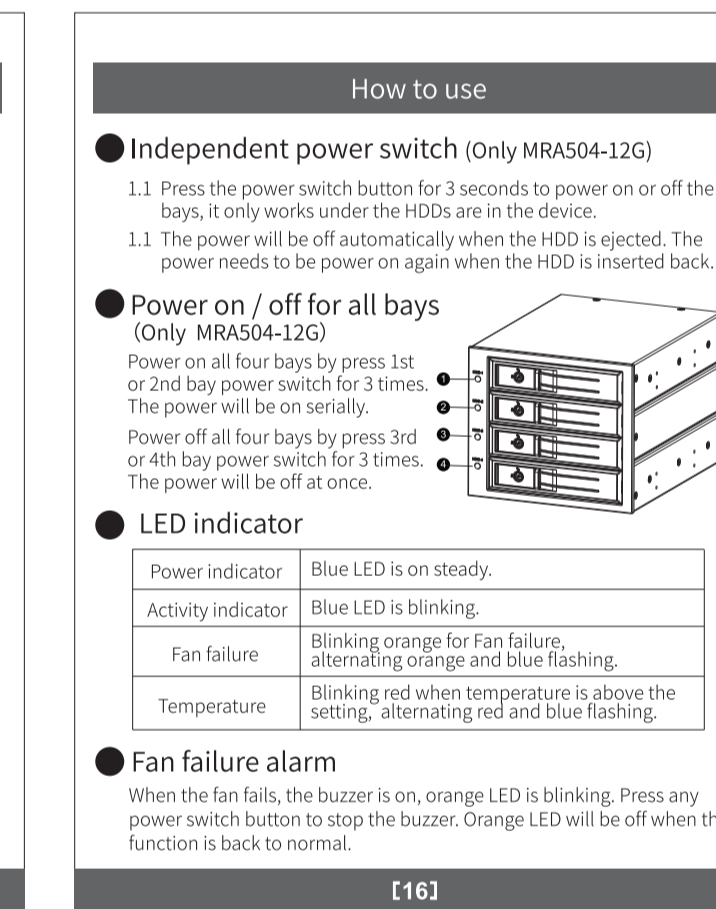
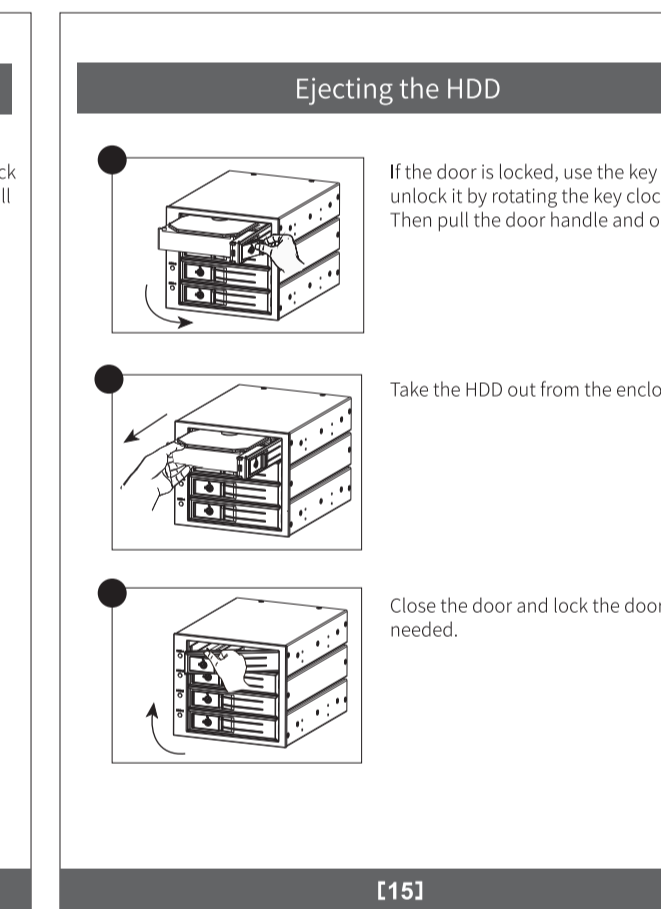
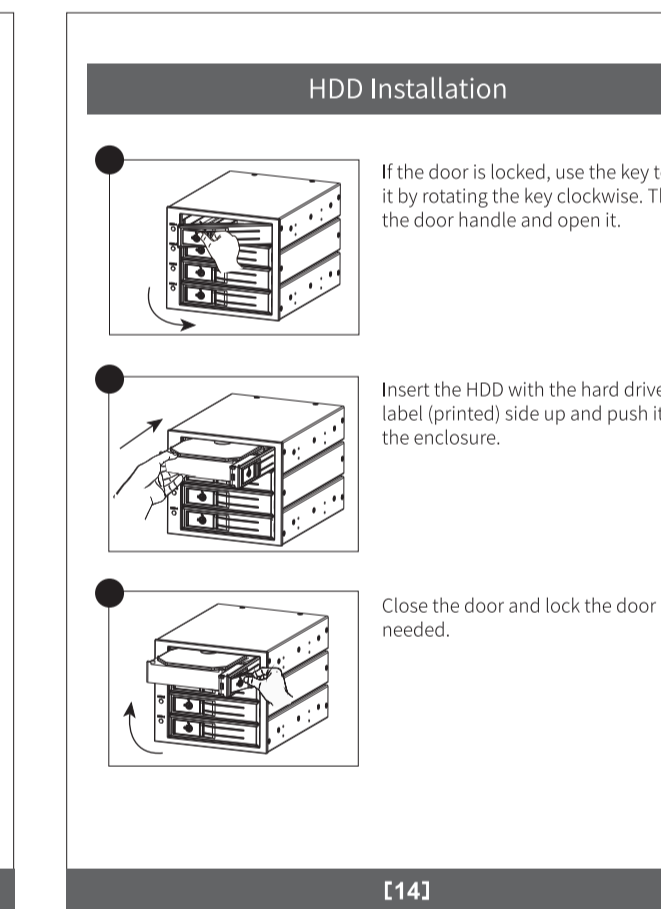
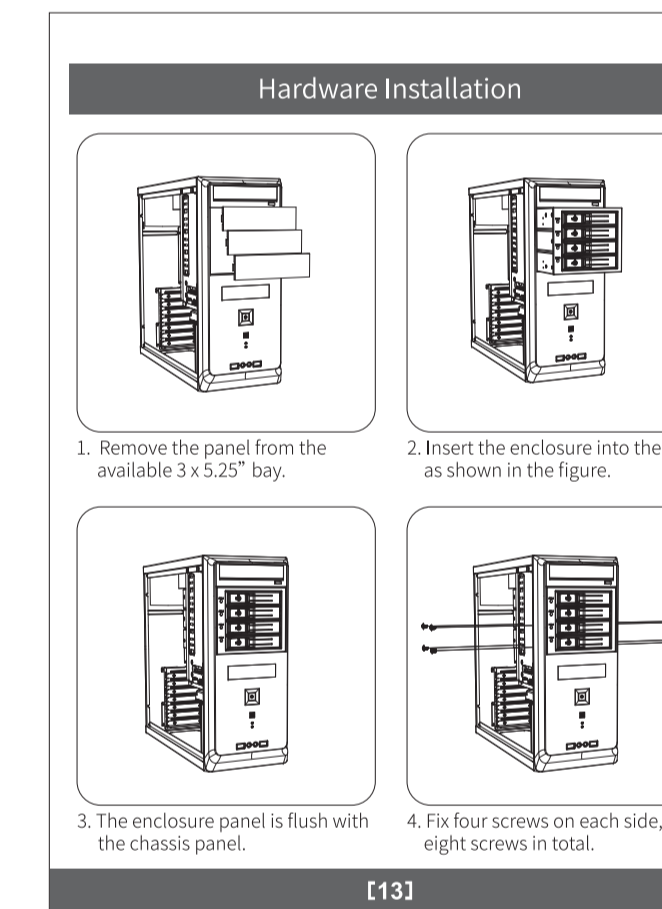
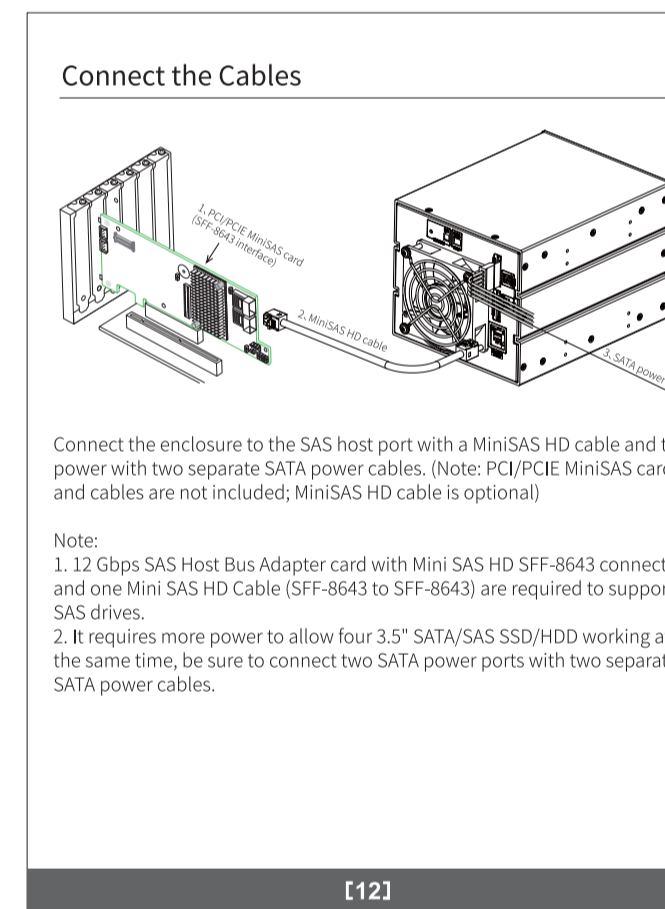
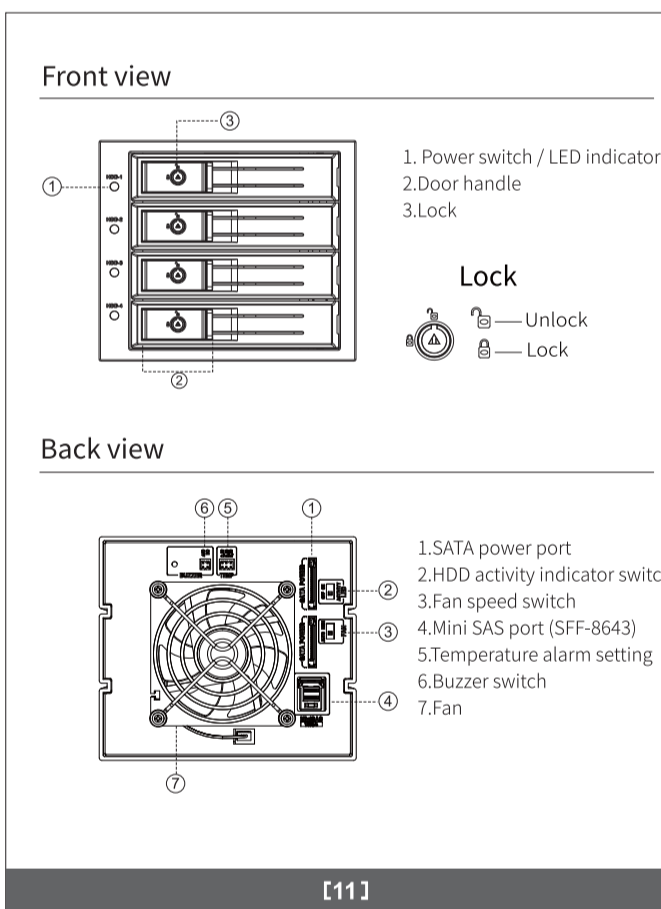
The MRA504-12G is for 3.5" SATA/SAS 12Gb/s HDD in three 1.25" bays, and connect to your computer through the SAS 12Gb/s connector. It can be used as hard drive expansion and also for system integration and upgrade on the system with advantage for high performance and high stability of your data storage.

**Specifications**

- Host connector: Mini SAS HD SFF-8643 (12Gb/s)
- Support HDD type: SATA/SAS (12Gb/s) and SAS (12Gb/s) HDD
- Material: Aluminum, V5C, SUS304, V5C
- Operating System: Windows/Linux
- LED indicator: Power / HDD access / Fan Failure / Temperature Alarm
- Product Dimensions: 215 (L) x 89 (W) x 27 (H) mm
- Operating Temperature: 0~55°C

**Package Content**

MRA504-12G	1 pcs
Key	2 pcs
MRA504-12G manual (Simplified)	1 pcs
User manual	1 pcs
Warranty card	1 pcs



**Note**

- Do not force to close the door after inserting the HDD in wrong direction, or the HDD enclosure will be damaged.
- The handle of cables with the enclosure works with the intelligent temperature control system. Changing the cable of other models will affect the product function.
- Hard drives should be handled carefully, especially when you transport them. If you are not sure, please refer to the hard drive user manual for more information.
- Be aware of the heat inside the hard drive. The hard drive may reach temperature up to 55°C.