



KS202

TI



► Features

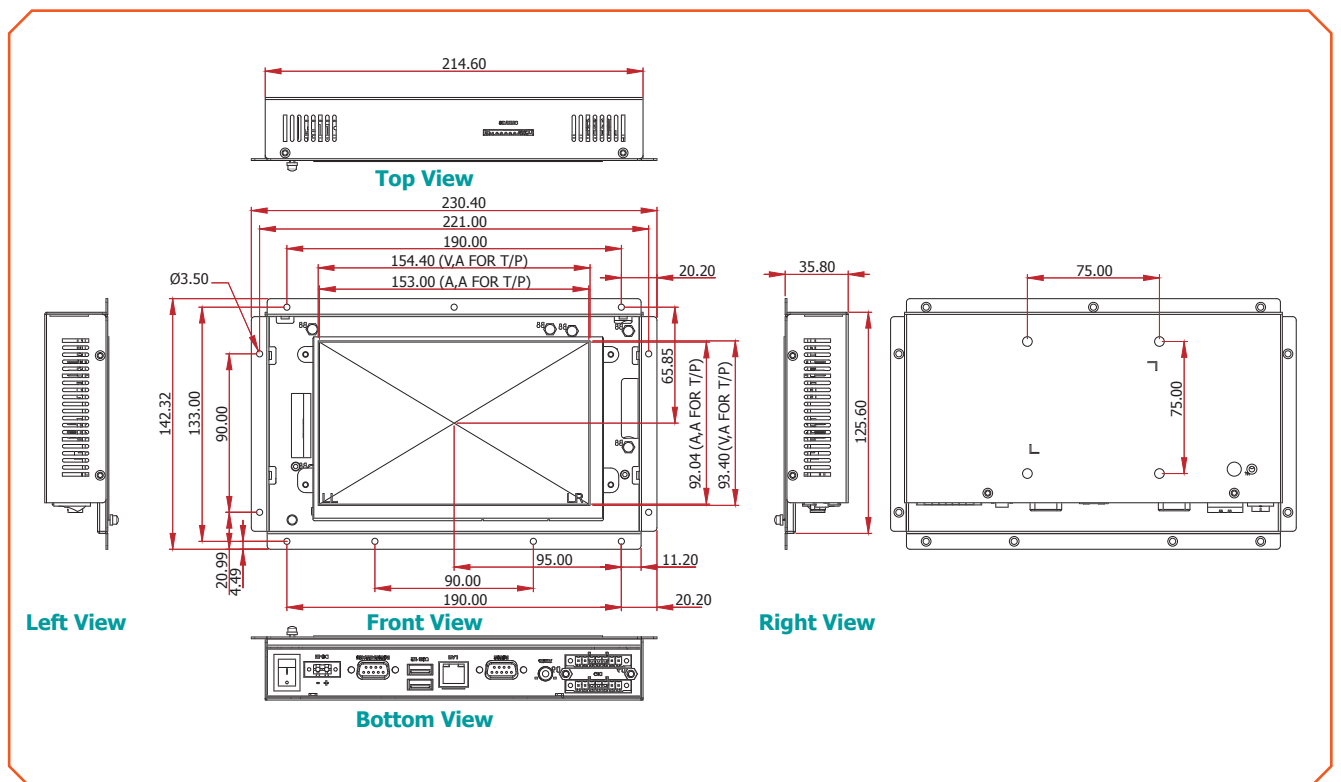
- 7" WVGA Touch Screen Fanless Panel PC
- 512MB DDR2 onboard
- 512MB NAND Flash onboard
- 2 USB 2.0, 1 LAN, 2 COM, 1 SD/MMC, 12-bit GPIO
- Open Frame Panel PC for easy integration into a customized enclosure



► Panel



► Dimensions



KS202

► Specifications

PROCESSOR SYSTEM

- TI® AM3517 Sitara ARM Cortex-A8

MEMORY

- 512MB DDR2 onboard
- 4 DDR2 64Mx16 RAM

LCD and TOUCH SCREEN

- 7" (800x480) WVGA TFT touch screen LCD
- Supports touch screen
 - TI® TSC2004 touch screen controller
- 400 NITS
- 4-Wire Resistive type

STORAGE

- 1 SD/MMC card socket
- 512MB NAND Flash
 - Samsung K9F4G08U0D flash memory 512Mx 8bit (512MB)

ETHERNET

- LAN8710 10/100Mbps LAN chip
- 1 LAN port
- Supports 10BASE-T and 100BASE-T

AUDIO

- 1 Line-out

COM

- 1 RS232/422/485 COM port
- 1 RS232 COM port

USB

- 1 TUSB1210 USB transceiver
- 2 Type A USB 2.0/1.1 ports

GPIO

- 12-bit GPIO connector

POWER

- Power input voltage
 - +9~30V DC-in

ENVIRONMENT

- Temperature
 - Operating: -20°C ~ 65°C
 - Storage: -30°C ~ 80°C
- Relative Humidity
 - 95% RH at 65°C, 1 week
- Corrosion
 - 4 periods of 7 days at 65°C with 90-95% relative humidity after 2 hours salt spray or waiver

I/O PORTS

- Front
 - 1 Power LED
- Top
 - 1 SD/MMC card socket
- Bottom
 - 12-bit GPIO (2 7-pole terminal blocks)
 - 1 Line-out
 - 1 DB-9 RS232 COM
 - 1 RJ45 10/100Mbps LAN with LEDs
 - 2 USB 2.0 (Type A)
 - 1 DB-9 RS232/422/485 COM
 - 1 DC-in (2-pole Phoenix terminal block)
 - 1 power switch

CONSTRUCTION

- Aluminum front bezel, Rugged metal housing

MOUNTING

- VESA 75x75

DIMENSIONS

- 230.40mm x 142.32mm x 35.8mm (W x H x D)

WEIGHT

- 1.90 kg

OS SUPPORT

- Windows CE 6.0

CERTIFICATION

- CE
- FCC Class B
- RoHS
- UL
- Compliant with IEC 60945 (Protected B)

► Ordering Information

Model Name	Part Number	Description
KS202	750-KS2020-000G	7" Panel PC, TI® AM3517 ARM, Resistive Touch, DC input, R10

► Optional Items

Optional Items	Part Number	Description
Wall Mount	785-PPCWMK	Standard Panel PC Wall Mount kit
Power Cord	785-PWRD	Power cord, Standards (USA/EUR/CH), 1.8m, RoHS

► Packing List

• 1 KS202 Touch Panel PC
• 1 Poron foam
• 1 24V power adapter
• 3 Terminal blocks
• 1 Quick Installation Guide
• 1 CD disk includes:
- Manual