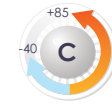
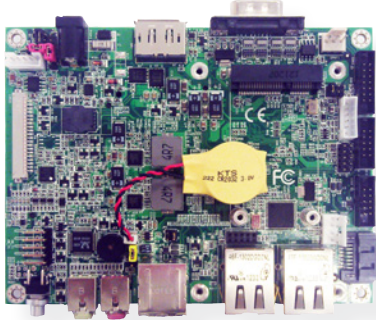


# PBN-9007



**COM Express**

## COM Express® Mini Type 10 Carrier Board



### Features

- **COM Express® MiniType 10 Carrier Board**
- Single Channel 24-bit LVDS, and DisplayPort
- Soldered onboard Touch Screen Controller
- **Wide Range Operating Temp.: -40 ~ 85°C**

### I/O

|                  |  |
|------------------|--|
| Super IO Chipset | Fintek F71869ED  |
| Serial Port      | 1 x RS-232<br>1 x RS-232/422/485 selectable                          |
| Digital I/O      | 8-bit Programmable   |
| Keyboard & Mouse | USB interface Keyboard/ Mouse  |
| USB 2.0          | 4 x USB 2.0 ports  |
| USB 3.0          | 2 x USB 3.0 ports  |
| Expansion        | 1 x Mini-Card Socket, SIM socket                                     |
| Storage          | 1 x SATA connector<br>1 x CFast socket                               |
| Ethernet Chipset | 1 x by CPU module<br>1 x Intel 82583V PCIe GbE controller            |
| Digital I/O      | 8-bit Programmable   |
| Audio            | Realtek ALC662 5.1 Channel HD Audio CODEC, Mic-in/ Line-in/ Line-out |

### Display

|                   |  |
|-------------------|--|
| Graphic Interface | LCD: 1 x LVDS connector<br>DDI port: 1 x DisplayPort connector |
|-------------------|--|

### Touch Screen Interface

|      |                   |
|------|-------------------|
| Mode | 5-pin header wire |
|------|-------------------|

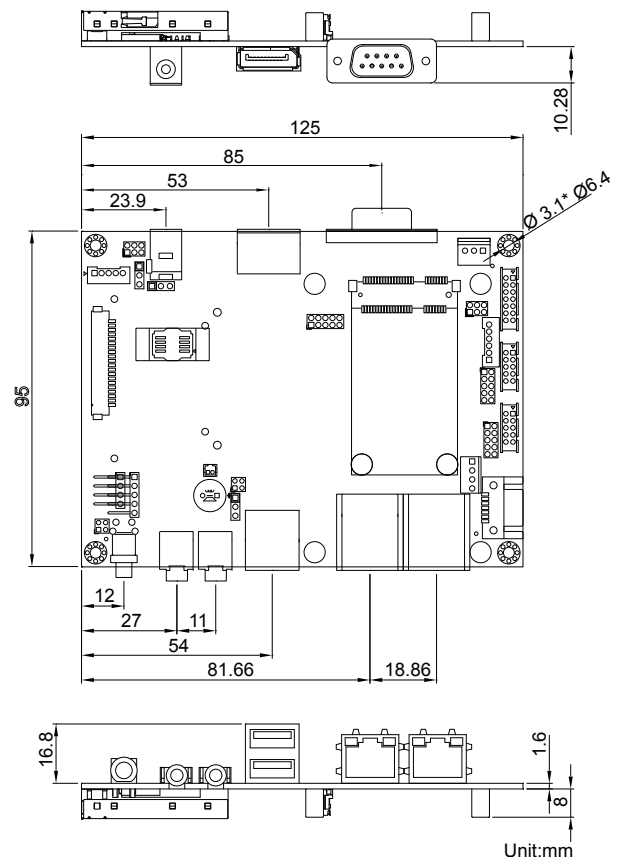
### OS Support

|                       |  |
|-----------------------|--|
| Depends on CPU Module |  |
|-----------------------|--|

### Mechanical & Environmental

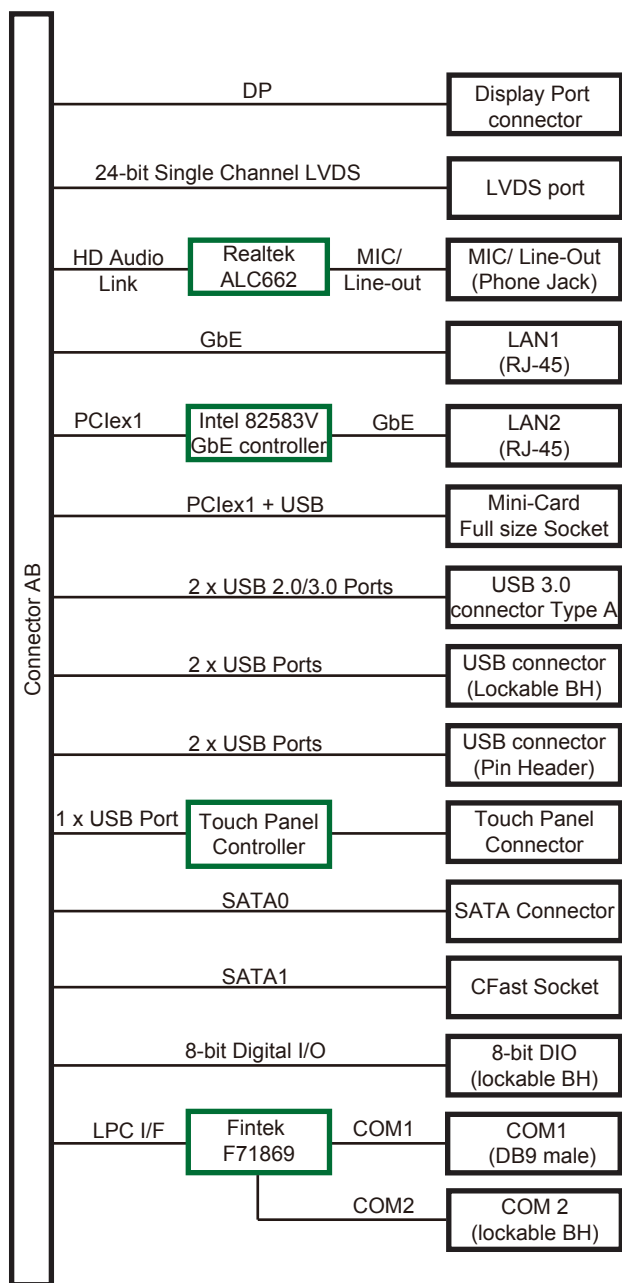
|                    |   |
|--------------------|---|
| Power Requirement  | DC 12V                                      |
| Power Consumption  | 1.05A@12V with EmNANO-i2300-E3825 (Typical) |
| Operating Temp.    | -40 ~ 85°C (-40 ~ 185°F)                    |
| Operating Humidity | 10 ~ 95% @ 85°C (non-condensing)            |
| Dimensions (L x W) | 125 x 95 mm (4.9" x 3.7")                   |

### Dimensions





## Block Diagram



### Ordering Information

PBN-9007 COM Express® Mini Type 10 carrier board

### Optional Accessories

CBK-05-9007-00

- Cable kit
- 1 x SATA cable
- 1 x SATA power cable
- 1 x Serial port cable
- 1 x USB cable
- 1 x PS/2 cable