

UPOS-530 Series

15" Fanless Cost-Effective POS System UPOS-530D with Intel® Celeron® J1900



Features

- Built-in Intel latest processor with fanless operation
- Flat and borderless front panel with IP65-rated front protection
- Unique easy HDD removal and replacement design
- Equipped with 15.1" TFT display in LED backlight
- Support expendable module in Right/Top hatch
- Support Remote Management Software "WISE-PaaS/RMM"



Introduction

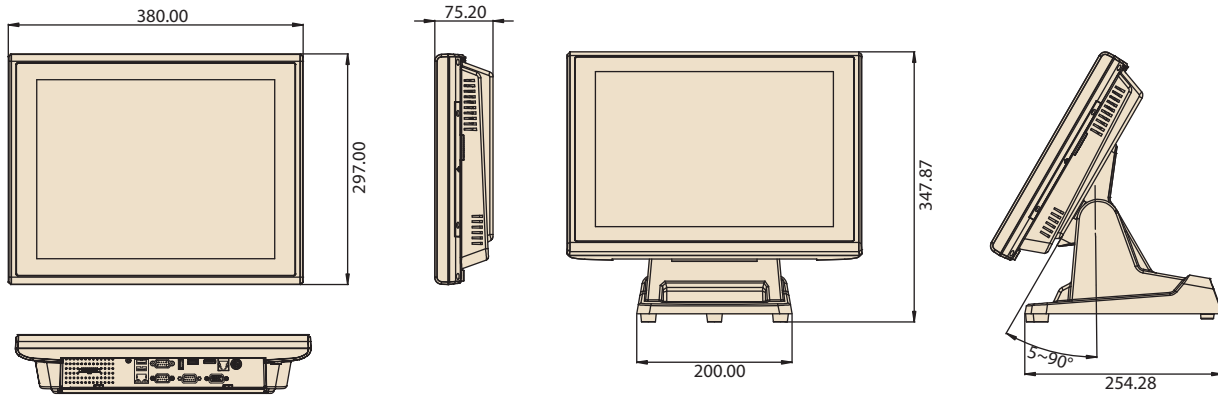
UPOS-530 is designed in all-in-one system with standard VESA mount screw hole in the display back. Application will be feasible with desktop stand or without stand mounting on wall. P-cap touch panel, flat and border design. 2nd display option in 10" and 15". easy access hard disk tray in the left hatch. MSR module and others peripheral is available to mount in right side hatch.

Specifications

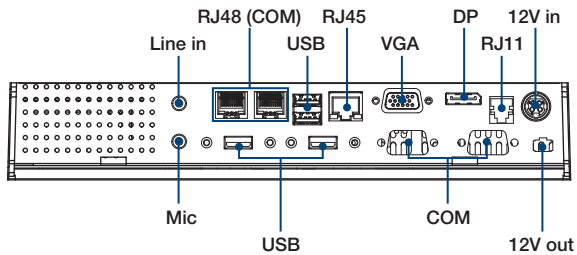
System	CPU	Intel® Celeron® J1900 quad-core processor 2.0 GHz
	Graphics	Intel Gen7 graphics DirectX11, OpenGL3.2
	System Memory	SODIMM x 1 (Maximum up to 8GB)
Storage	HDD Drive	1 x 2.5" SATA HDD/SSD Bay
	SATA speed	SATAII (3.0Gb/S)
	Expansion	1 x Full-size mini PCIe (for mSATA/Wi-Fi/BT)
Display	Resolution	15" TFT LCD (1024 x 768) with LED backlight
	Brightness	250 cd/ m ²
	Touch Screen	P-Cap Touch
External I/O	Serial Port	4 x COM (RJ48 x 2, D-sub x 2, 5V/12V 1A selectable by internal jumper)
	USB Port	4 x USB(USB2.0 x 3 , USB3.0 x 1)
	Vedio Output	1 x VGA1 Port (DSUB-15) 1 x Display Port
	Speaker	2 x 2W speakers
	Ethernet	1 x RJ-45 Gigabit Ethernet (10/100/1000)
	Cash Drawer	1 x RJ11 (12V (Default) /24V by internal switch jumper)
	DC Out	12V 2-pin power (for 2nd display)
	DC In	12V 4-pin
	Audio	1 x Line Out & 1 x Mic-in
	Power Button	Power Switch (LED inside)
	Display Hatch (Top)	VGA (secondary display)+COM(VFD)+12V
	Display Hatch (Right)	USB+PS2
Display Hatch (Left)	Hard disk tray	
Optional module	Second Display	10.1" TFT LCD /VFD on display top hatch 15" TFT LCD on rear pole mount
	Peripherals	<ul style="list-style-type: none"> ▪ MSR ▪ MSR + iButton ▪ MSR + Fingerprint ▪ MSR + RFID ▪ MSR + IC card
Mechanical & Environmental	Color	Black
	Operating Temperature	0 ~ 40° C (32 ~ 104° F)
	Humidity	10 ~ 95% @ 40° C non-condensing
	Certifications	CE/FCC
Software	OS Support	POSReady 7 / Win 7 Pro/ Win 10 IoT Enterprise

Dimensions

Unit: mm



IO View



Order Information

Part Number	Description
UPOS-530DP-AST00	Baytrail J1900, P-cap touch, 4G DDR3 RAM, Black, USB x4, COM x4
UPOS-530DP-AST01	Baytrail J1900, P-cap touch, 4G DDR3 RAM, Black, USB x4, COM x4, 500G HD
UPOS-530DP-AST02	Baytrail J1900, P-cap touch, 4G DDR3 RAM, Black, USB x4, COM x4, 64G SSD

Peripherals

Part number	Description
UPOS-P03-A300	MSR, PS2
UPOS-P03-A301	MSR, USB
UPOS-P03-A302	MSR, PS2+ibutton
UPOS-P03-A303	MSR, PS2+RFID
UPOS-P03-A304	MSR, PS2+fingerprint
UPOS-P03-A305	MSR, PS2+IC card

Thermal Printer

Part number	Description
UPOS-P04-A000	PRINTER USB/SERIAL 180DPI BK
UPOS-P04-A001	PRINTER USB/ ETHERNET 180DPI BK
UPOS-P04-A002	PRINTER USB/SERIAL/ETHERNET 180DPI BK
UPOS-P04-A003	PRINTER USB/SERIAL 180DPI BK
UPOS-P04-A004	PRINTER USB/ PARALLEL PORT 180DPI BK

Secondary display

Part number	Description
UPOS-P01-A300	VFD display, COM, 2029, rear mount
UPOS-P02-A300	10.1" 2nd display, pole mount
UPOS-P02-A301	15" 2nd display, pole mount