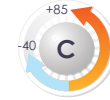
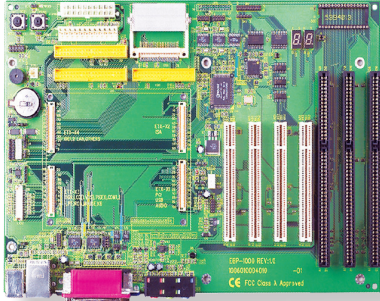


PBE-1000



ETX

ETX Evaluation Carrier Board in ATX Form Factor



Features

- **ETX 3.02 Compliant**
- Integrated Gigabit Ethernet
- POST Code Diagnostics
- Secondary Multi I/O (COM3, COM4)
- **Wide Range Operating Temp.: -40 ~ 85°C**

I/O

Super IO Chipset	Winbond W83977
Serial Port	3 x RS-232 1 x RS-232/422/485 selectable
Parallel Port	SPP/EPP/ECP mode selectable
Keyboard & Mouse	Standard PS/2 keyboard/ mouse connectors
USB 2.0	5 x USB 2.0 ports
Expansion	4 x PCI slots, 3 x ISA slots
Storage	2 x Ultra ATA connectors, 1 x FDD connector, 1 x CF II socket
Ethernet Chipset	1 x by CPU module
Digital I/O	16-bit DIO 8-in/ 8-out
Audio	Mic-in/ Line-in/ Line-out

Display

Graphic Interface	Analog RGB/ DVI: 1 x VGA connector, LCD: 1 x LVDS connector
-------------------	--

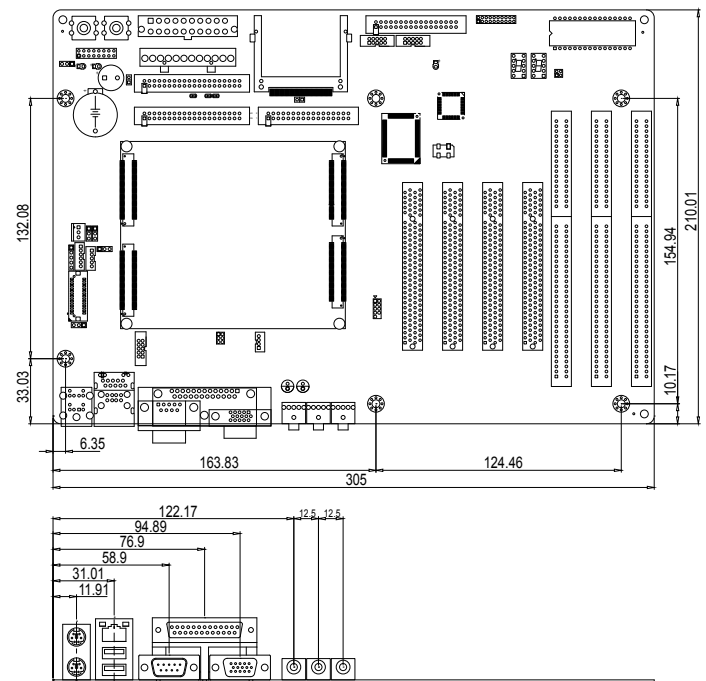
OS Support

Depends on CPU Module

Mechanical & Environmental

Power Requirement	AT/ATX
Power Consumption	2.88A@5V with EmETX-i2304-E3845, 2.26A@5V with EmETX-i2304-E3825 (Typical)
Operating Temp.	-40 ~ 85°C (-40 ~ 185°F)
Operating Humidity	10 ~ 95% @ 85°C (non-condensing)
Dimensions (L x W)	305 x 210 mm (12" x 8.27")

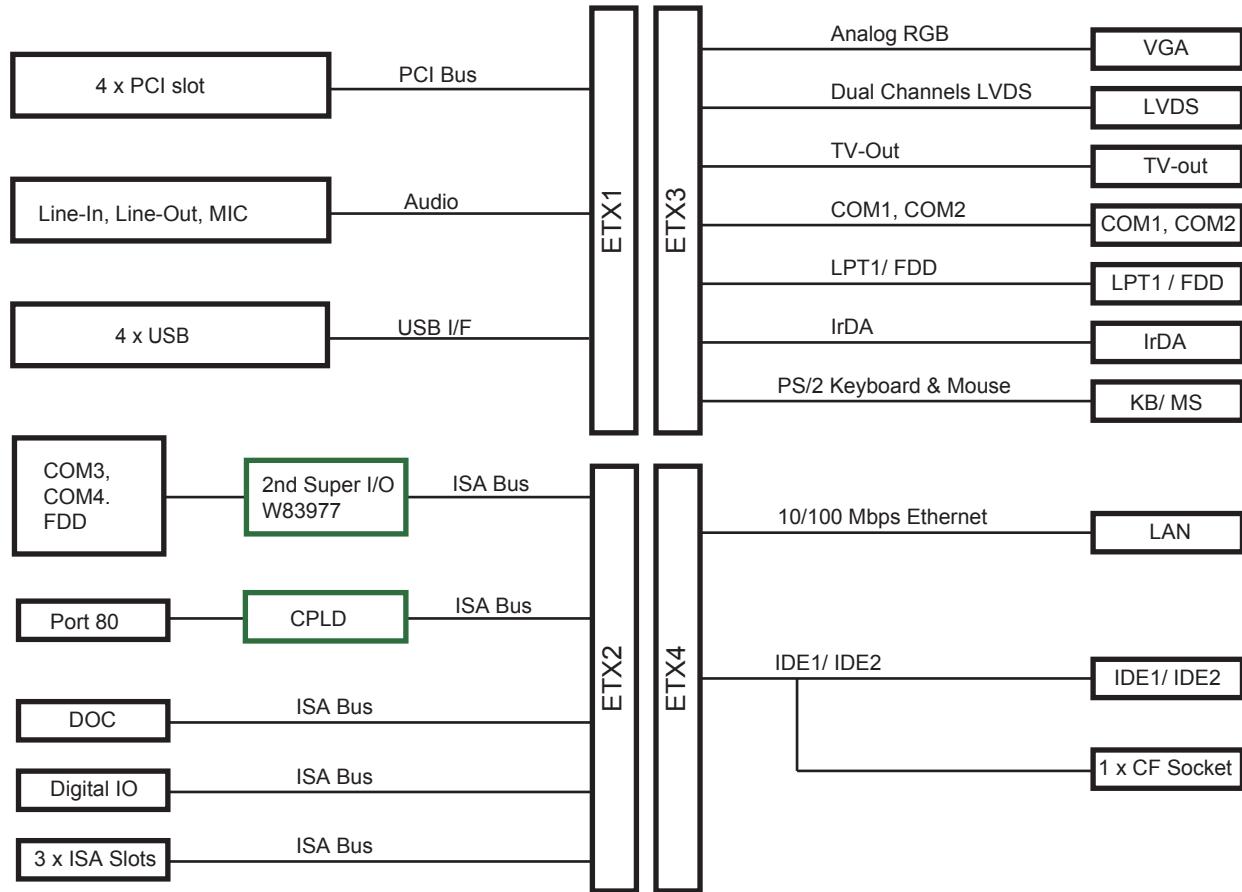
Dimensions



Unit: mm



Block Diagram



Ordering Information

PBE-1000 R2.1 ETX evaluation carrier board in ATX form factor

Optional Accessories

CBK-05-1000-00 Cable kit
1 x FDD cable
3 x Serial port cables
1 x USB cable
2 x IDE cables
1 x TV-out cable