

UTC-312

11.6" Ubiquitous Touch Computer UTC-312B with Intel® Atom™ D510 UTC-312D with Intel® Bay Trail J1900



Features

- 43 mm thin all-in-one computer with high performance and low power consumption
- Fanless design provides quiet operation
- Provides natural viewing experience with 16:9 display
- True flat touchscreen, easy to clean
- Front panel complies with IP65 protection standard
- VESA 75 mm standard mounting holes for varied mounting demands
- Instant function key access via programmable touch hotkeys on front panel
- Rich peripheral options - Handset/ RFID/ Smart card reader/ Barcode Scanner/ MSR
- Supports Power over Ethernet function (PoE)
- Supports Windows, Android and Linux operating systems



Introduction

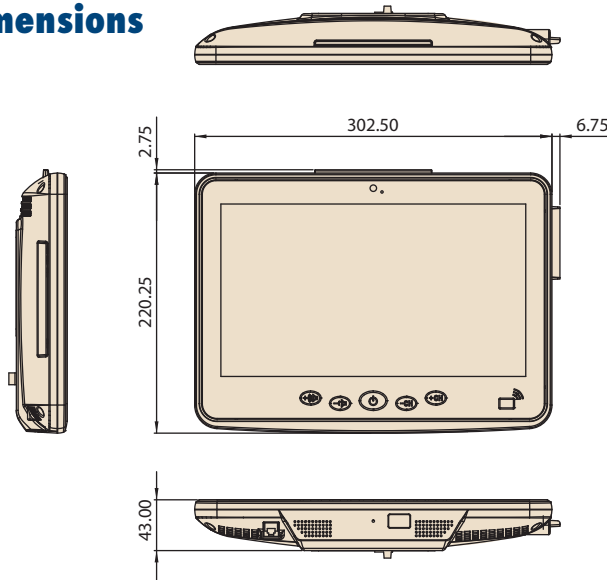
UTC-312 is the multi-purpose all-in-one computing system which equipped with wide format, touch based LCD panel and supports Windows, Android and Linux operating systems. It is easy to integrate key peripherals and display systems for diversified self-service and interactive signage deploy in different application areas. UTC series touch panel computers are the best investments to enhance user satisfaction, further brand equity, and maximize business profits. It is an exceptional choice for applications in all business sectors, such as retail stores, banks, hospitals, and medical centers.

Specifications

		UTC-312B	UTC-312D
Hardware	CPU	Intel Atom D510 (Default)/D525 (By Request) 1.6 GHz Processor	Intel BayTrail J1900
	Front Side Bus	Supports FSB 667 MHz	Supports 2.0 GHz (Quad-Core)
	System Chipset	Intel D510 + ICH8M	J1900
	Memory	up to 2 GB	up to 8 GB
	Storage	CF or SATA HDD interface	1 x 2.5" SATA SSD or mSATA
	Camera	5 megapixel CCD Module	5 megapixel CCD Module, Optional
	Bus Expansion		Mini PCIe x 2
Display	Size	11.6" W TFT	
	Max Resolution	1366 x 768	
	Luminance	200 cd/m ²	
	Contrast Ratio	500:1	
Touchscreen	Type	Analog Resistive	Projected Capacitive / Analog Resistive (By Request)
	Light Transmission	80%	90%
	Durability		30 million
I/O Ports	USB Port	3 (side x 2, rear x 1)	2 x USB 2.0 / 1 x USB 3.0
	Smart Card Reader		1 (Removeable with Insert sealed by plastic changecord), Optional
	Line out		1
	Microphone in		1
	COM Port (Isolated)		1
Audio	Speaker		2 watt x 2
	Microphone		1
Network	LAN	10/100/1000 RJ-45 x 1	10/100/1000 RJ-45 x 1 (w/ PoE, IEEE 802.3AT, Optional)
	WLAN	802.11 b/g/n	802.11 a/b/g/n, BT 4.0, Optional
Emergency Alarm	Hotkey		5 programmable touch buttons with 2 types of artwork
	LED Light Indicator		1
Bus Expansion	mini-PCI Slot	2 (1x Full Size, 1x Half Size)	2 (1x Full Size, 1x Half Size)
Software	Operating System	Support WES, WES7, Win7 / Linux: Fedora 13, Ubuntu	Support WES7/8, Win7/8, Linux: Fedora 13, Ubuntu, Android 4.4
	Mounting	VESA 75 x 75 mm	VESA 75 x 75 mm
Mechanical	Dimensions (W x H x D)	302.5 x 220.25 x 43 mm	302.5 x 220.25 x 43 mm
	Weight	2.3 kg	2.3 kg
Options	TV Tuner	Yes, Optional	Yes, Optional (Digital / Analog Hybrid)
	Handset	Yes, Optional	Yes, Optional
	Barcode Scanner	Yes, Optional. 2D type	Yes, Optional. 2D type
	Table Stand	Yes, Optional	Yes, Optional
	RFID	Yes	Yes, Optional
Power Supply	AC/DC Adapter		
	Input Voltage	100 ~ 240 V _{AC} , 1.1 ~ 0.45 A @ 47~ 63 Hz	100 ~ 240 V _{AC} , 1.1 ~ 0.45 A @ 47~ 63 Hz
	Output Voltage	IT: 19 V _{DC} , 3.42 A MAX	IT: 19 V _{DC} , 3.42 A MAX
Environment	Operating Temperature	0 ~ 40° C	0 ~ 40° C
	IP Rating	Front Panel: IP65; IPX1 All around	Front Panel: IP65; IPX1 All around
	Vibration	1 G	1 G
	Shock	50 G	50 G
	Certifications	CE, FCC, CCC, CB, ITE UL, EN 60950	CE, FCC, CCC, CB, ITE UL, EN 60950

Dimensions

Unit: mm



Default Standard P-CAP T/S Buttons Artwork (5-key + 1 RFID Icon) :



Optional* Res. Or P-CAP T/S Buttons Artwork for Healthcare / Bedside. (5-key + 1 RFID Icon) :



*by Project Inquiry

Ordering Information

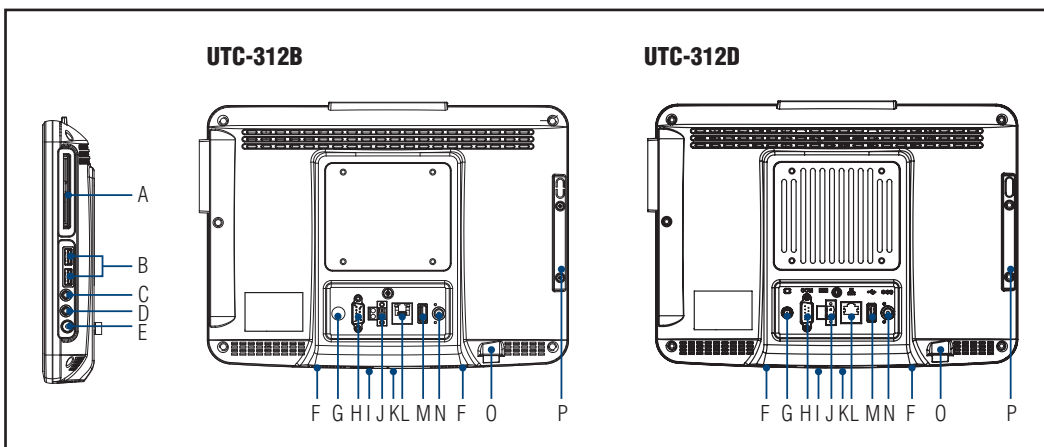
Part No.	Part No. Description
UTC-312DR-ATB1E	11.6" W Full-Flat, Baytail, Res. T/S, Black, w/ 4G RAM, 32G SSD & ITE adapter
UTC-312DP-ATW2E	11.6" W Full-Flat, Baytail, PCAP T/S, White, w/ Full config (4G RAM, 64G SSD, Smart Card Reader, RFID Reader, 5M Camera, Wi-Fi + Bluetooth), PoE, & ITE adapter
UTC-312BR-ATW1E	11.6" W Full-Flat, Atom D510 , Res. T/S, White, w/ Full config (1G RAM, 500G HDD, Wi-Fi, 5M Camera, RFID Reader) & ITE adapter

Accessories

Part Number	Description
UTC-312-HSKE	Handset Kit for UTC-312
*UTC-312-MSR0E	UTC series standard accessory: MSR Add-on Module
*UTC-312-UST0E	UTC series standard accessory: US ATSC/NTSC Hybrid Tuner
*UTC-312-EUT0E	UTC series standard accessory: EU DVB-T Analog/Digital Hybrid Tuner

*Identify as optional function

Fully- Integrated I/O



- A Smart Card Insert Tray
- B USB 2.0 Port *2
- C MIC In
- D Line Out
- E Power Switch
- F Speaker x 2
- G Reserved port
- H Isolated COM Port
- I Barcode Scanner (optional)
- J 2-PIN Connector
- K MIC
- L RJ-45 LAN port
- M USB 2.0/USB 3.0 (UTC-312D)
- N DC Inlet
- O RJ-12 Handset Connector
- P Handset/MSR Dock