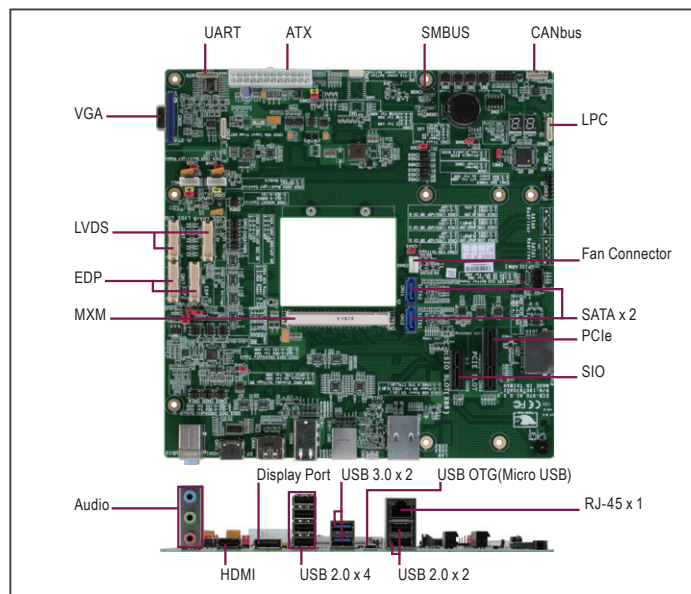


Qseven Rev. 2.0 Carrier Board for ARM/x86 Solutions

Qseven CPU Modules



Features

- Supports Qseven Module
- Supports Both ARM/x86 Based Q7 CPU module
- Gigabit Ethernet, RJ-45 x 1
- Up to 18-bit Single Channel LVDS Connector, VGA (for X86)
- Up to 24-bit Dual-Channel LVDS Connector or EDP, DP or HDMI (for ARM)
- High Definition Audio (for X86), I2S Audio Interface (for ARM)
- SATA Port x 2, SDIO x 1 (for X86), SATA Port x 1 (for ARM)
- USB 2.0 x 8, USB 3.0 x 2 (for X86), USB 2.0 x 5 (Shared One USB OTG)
- Qseven Specification 2.0
- LPC Connector x 1, Micro-ATX Form Factor



Specifications

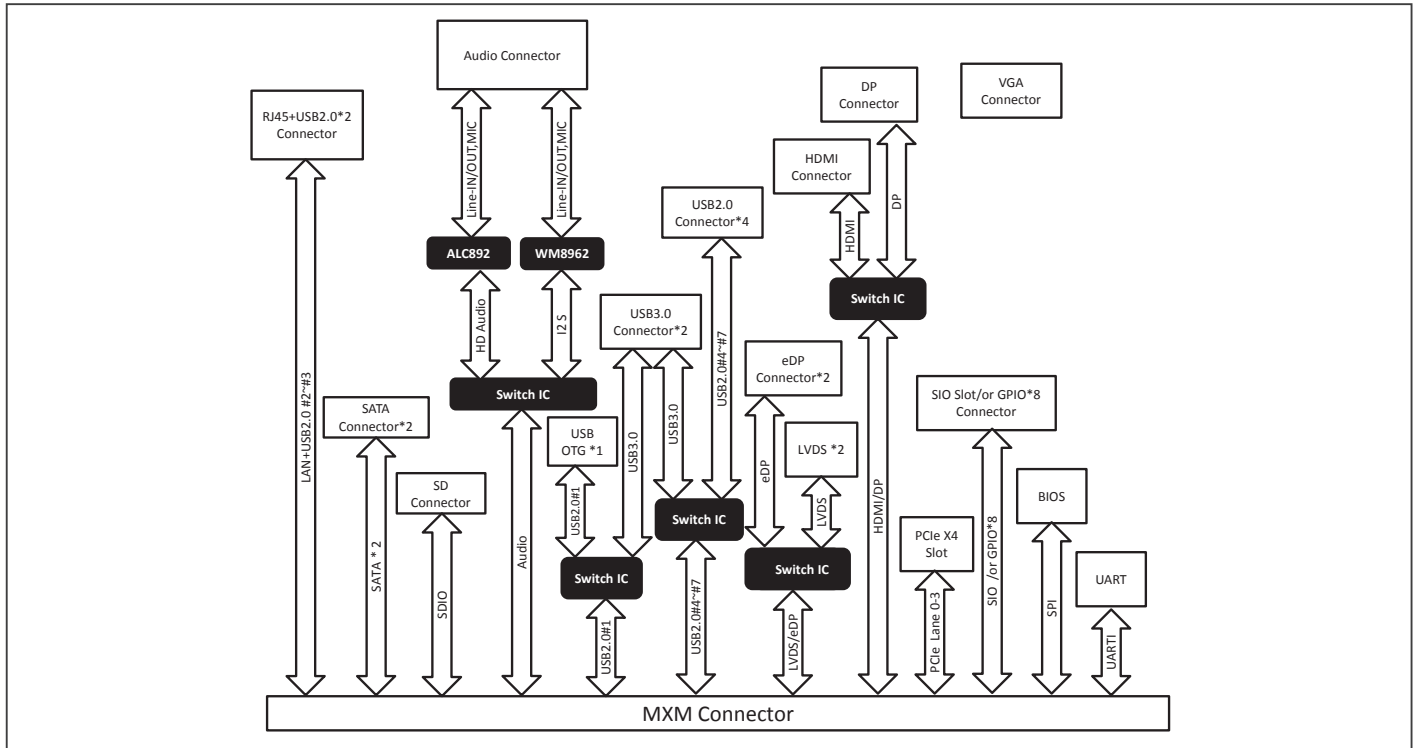
System	X86 (A10)
Form Factor	Micro ATX
I/O Chipset	—
Ethernet	10/100/1000Base-TX, RJ-45 x 1 (From CPU module)
Expansion	Interface PCI-E [x4] x 1(For Super I/O Card only), LPC Connector x 1
Power Requirement	+5V DC
Power Consumption (Typical)	—
Board Size	9.65" x 9.65" (243.84mm x 243.84mm)
Gross Weight	1.32 lb (0.6 kg)
Operation Temperature	32°F ~ 140°F (0°C ~ 60°C)
Storage Temperature	-40°F ~ 185°F (-40°C ~ 85°C)
Operation Humidity	0% ~ 90% relative humidity, non-condensing
MTBF (Hours)	75,000
Display	LVDS or EDP, DP or HDMI
DVI/CRT	—
LVDS	18-bit Single Channel LVDS
DDI	—
I/O	
Storage	SATA x 2, SDIO x 1
Serial Port	RS-232 x 1, RS-232/422/485 x 1
Parallel Port	—
USB	USB 2.0 x 8, USB 3.0 x 2
PS/2 Port	—
I2C	—
Audio	Line-out, Microphone
Debug LED	Port 80

* Above function support will vary by different Q7 CPU modules or Platforms

Packing List

- PER-T289
(PCI-E[x4] to PCI-E[x1]) Converter Board
- 1701090150
COM Port Cable x 2
- 1709070500
SATA Cable x 2
- Product CD
- ECB-970

Block Diagram



Dimension

Unit: mm



Ordering Information

- **ECB-970-A10**

Qseven Carrier Board, GbE, LVDS, Audio, COM, USB 2.0, USB 3.0, DC, Rev. A1.0 for X86