

UPOS-520 Series

15" Modularized and Customizable POS System
UPOS-520D with Intel® Celeron® J1900 Processor



Features

- 15.1" TFT display in LED backlight
- Flat and borderless front PCAP touch panel design
- Reserved display hatches for peripheral requirement
- Display hinge adjustable to 180 degree flat to table
- Support customizable logo for brand awareness
- Support modularized secondary monitor and peripherals



Introduction

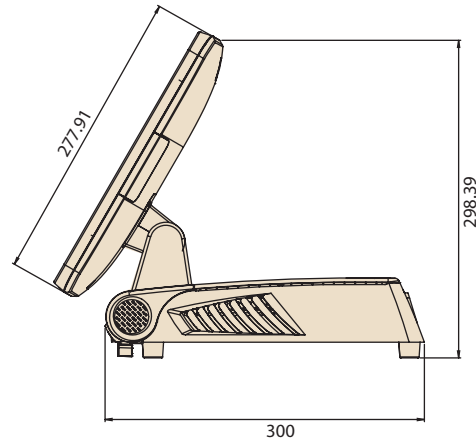
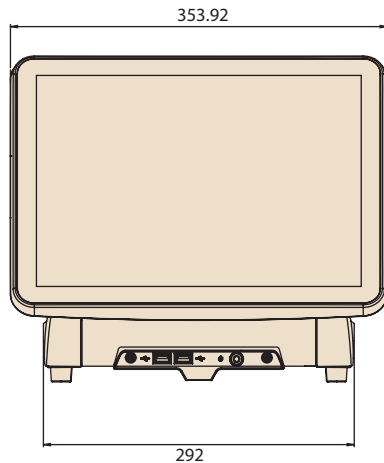
UPOS-520D series is designed for reliable table top POS system with new modern and sleek look display module. Front and rear IO bay provide varies IO connection up to 6 USBs and 6 COMs. Display module back reserve hatches for peripheral, 2nd display and MSR. Hinge design be able to fold display flat to table.

Specifications

System	Model	520D
	CPU	Intel® Celeron® J1900 processor
	System Memory	SODIMM x1 (Maximum up to 8GB DDR3L)
Storage	HDD	1 x 2.5" SATA2 HDD/SSD Bay
	SATA	SATA II (3.0Gb/S)
	Expansion	1 x Full-size mini PCIe (for mSATA/Wi-Fi/BT)
Display	Resolution	15" TFT LCD (1024 x 768) with LED backlight
	Brightness	250 cd/m ²
	Touchscreen	PCAP touch control (controller located on touch board)
External I/O	Serial Port	4 x COM (2 x RJ48 at 5V/12V via internal jumper; 2 x D-sub connector at 5V/12V via internal jumper)
	USB Port	2 x USB 2.0 at front 4 x USB at rear (3 x USB 2.0, 1 x USB 3.0)
	Video Output	1 x VGA1 Port 1 x Display Port
	Speaker	2W x 2
	Ethernet	1 x RJ-45 Gigabit Ethernet(10/100/1000)
	Cash Drawer	1 x RJ11 (12V Default /24V by internal jumper)
	DC In	4-pin power jack
	DC Out	12V 2-pin connector for second display
	Power Button	Power Switch (LED indicator inside)
	Display Hatch (Top)	VGA +12V for secondary display
	Display Hatch (Right)	PS/2 + USB
	Display Hatch (Left)	Reserved
	Optional Modules	Adapter
Second Display		Supports 10.1" TFT LCD/VFD via display hatch (top) Supports 15" TFT LCD via rear pole mount
Peripherals		<ul style="list-style-type: none"> ▪ MSR ▪ MSR + iButton ▪ MSR + Fingerprint ▪ MSR + RFID ▪ MSR + IC card
Mechanical & Environmental	Color	Black / White / Custom
	Operating Temperature	0 ~ 40 °C (32 ~ 104 °F)
	Humidity	10 ~ 95% @ 40 °C, non-condensing
	Certifications	CE/FCC
Software	OS Support	POSReady 7 / Win 7 Pro/ Win 10 IoT Enterprise

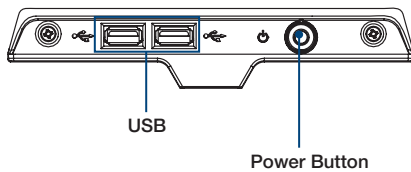
Dimensions

Unit: mm

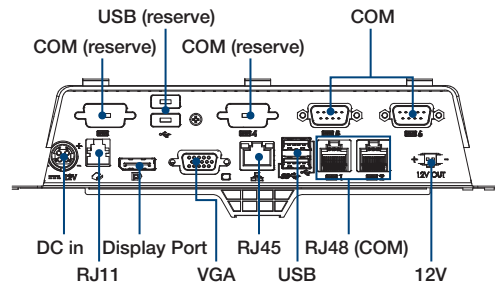


IO View

Front



Rear



Order Information

Part Number	Description
UPOS-520DP-AST00	Baytrail J1900, P-cap touch, 4G DDR3 RAM, Black, USB x4, COM x4
UPOS-520DP-AST01	Baytrail J1900, P-cap touch, 4G DDR3 RAM, Black, USB x4, COM x4, 500G HD
UPOS-520DP-AST02	Baytrail J1900, P-cap touch, 4G DDR3 RAM, Black, USB x4, COM x4, 64G SSD
UPOS-520DP-AST10	Baytrail J1900, P-cap touch, 4G DDR3 RAM, Black, USB x6, COM x6

Thermal Printer

Part number	Description
UPOS-P04-A000	PRINTER USB/SERIAL 180DPI BK
UPOS-P04-A001	PRINTER USB/ ETHERNET 180DPI BK
UPOS-P04-A002	PRINTER USB/SERIAL/ETHERNET 180DPI BK
UPOS-P04-A003	PRINTER USB/SERIAL 180DPI BK
UPOS-P04-A004	PRINTER USB/ PARALLEL PORT 180DPI BK

Peripheral

Peripherals	P/N	Description
VFD display_ENG/pole	UPOS-P01-A102	VFD display, ENG, H7cm, pole mount for UPOS-510/UPOS-520
VFD display_CHT/pole	UPOS-P01-A103	VFD display, CHT, H7cm, pole mount for UPOS-510/UPOS-520
10.1" 2nd display/rear	UPOS-P02-A100	10.1" 2nd display, rear mount for UPOS-510/UPOS-520
10.1" 2nd display/pole	UPOS-P02-A101	10.1" 2nd display, pole mount for UPOS-510
15" 2nd display	UPOS-P02-A102	15" 2nd display, pole mount for UPOS-510
15" 2nd display w/ p-cap	UPOS-P02-A103	15" 2nd display, P-cap touch, , HDMI, VGA, pole mount for UPOS
MSR, PS2	UPOS-P03-A100	MSR, PS2 for UPOS-510/UPOS-520
MSR, PS2+ibutton	UPOS-P03-A101	MSR, PS2+ibutton for UPOS-510/ UPOS-520
MSR, PS2+RFID	UPOS-P03-A102	MSR, PS2+RFID for UPOS-510/ UPOS-520
MSR, PS2+fingerprint	UPOS-P03-A103	MSR, PS2+fingerprint for UPOS-510/ UPOS-520
MSR, PS2+IC	UPOS-P03-A104	MSR, PS2+IC card for UPOS-510/ UPOS-520
Cash drawer	UPOS-P06-A000	Cash drawer for all UPOS series