

OPPC 1540T Series

15" TFT XGA 4:3 Fanless Open Frame PC with
Intel Atom® E3826/ Celeron™ J1900, Touch Screen, 4GB DDR3L



Main Features

- 4:3 15" XGA Fanless Panel Computer
- Intel Atom® E3826/ Celeron™ J1900, Quad core, low power consumption CPU
- PS2 KB/ MS/ Line-out/ Dual GbE/ 3x USB
- 2 x RS232/ 422/ 485/ 2nd display-VGA/ 2 x Mini-PCIe sockets/ 1 x CFast
- Remote power switch
- DDR3L 4GB/ 2.5" HDD bracket
- Support JMobile HMI and CODESYS SoftLogic (optional)
- Mounting support: Panel/ Wall/ Stand/ VESA 100mm x 100mm
- Wide range power input 12~30VDC

Product Overview

Incorporated a 15" 4:3 touch screen LCD panel with resolutions up to 1024 x 768 (XGA) and 420 nits brightness. It is specially designed with bezel-less display which allows customers to design front bezel according to their application requirements without any limitation. The OPPC 1540T Series are fanless Panel PC based on the Atom® E3826/ Celeron™ J1900 processor. The OPPC 1540T Series supports WWAN/WLAN expansion and others via dual Gigabit Ethernet connectors, two Mini-PCIe slots and one SIM card holder.

With support for wide power input of 12~30VDC, OPPC 1540T Series can gain a strong foothold in industrial field and machine devices. In addition, OPPC 1540T Series can hook 2nd display via a VGA port for dual independent display. OPPC 1540T Series has two isolated RS232/ 422/ 485 ports.

Specifications

Panel

- LED size: 15", 4:3
- Resolution: XGA 1024x768
- Luminance: 420cd/m²
- Contrast ratio: 800
- LCD color: 262K
- Viewing angle: 80(U), 80(D), 80(L), 80(R)
- Backlight: LED

Touch

- 5-wire resistive
- Touch light transmission: 81%
- Touch interface: USB

System

- CPU: On-board Intel Atom® Dual Core processor E3826, 1.46GHz, 1M L2 Cache/ Intel® Celeron™, Quad core processor J1900, 2.0GHz, 2M L2 Cache
- BIOS: AMI BIOS
- System memory: 2 x 204-pin DDR3L SO-DIMM socket, 4GB DDR3L (Default), Support up to 8GB DDR3L-1066/1333, Non-ECC and Un-buffered
- Storage device:
 - 1 x external locked CFast socket
 - 1 x hard drive bay: optional 1 x 2.5" SATA HDD or 1x SATA DOM
- Watchdog timer: Watchdog timeout can be programmable by

software from 1 second to 255 seconds and from 1 minute to 255 minutes (tolerance 15% under room temperature 25°C)

- H/W status monitor: monitoring system temperature, and voltage
- Expansion: 2 x Mini-PCIe sockets (support optional Wi-Fi, 3.5G module)

Rear I/O

- PS2 keyboard/mouse
- Audio port: 1 x Line-out
- Remote power switch
- Ethernet: 2 x RJ45
- USB: 2 x USB2.0; 1 x USB3.0
- COM #1: RS232/ 422/ 485
- COM #2: RS232/ 422/ 485
- Reset button
- 2nd display VGA port: 1 x DB15
- Power switch

Audio

- HD Codec: Realtek ALC886-GR
- Audio interface: Line-out/ Line-in (Optional)/ MIC-in (Optional) audio Jack

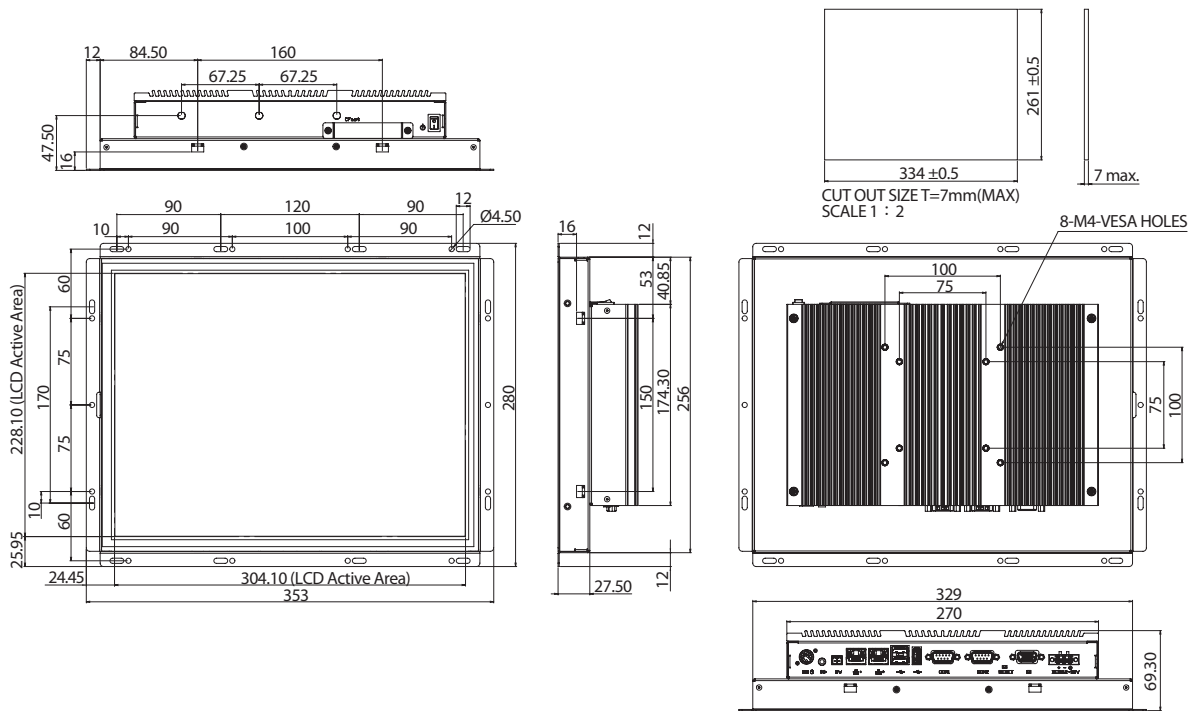
Ethernet

- LAN chip: dual Intel® I210AT Gigabit LAN
- Ethernet interface: 10/100/1000 Based-Tx Ethernet compatible

Mechanical & Environment

- Mounting: panel/ wall/ stand/ VESA 100mm x 100mm

Dimension Drawing



- Power input: 12~30VDC
- Power adapter: Optional AC to DC power adapter (+12V, 60W)
- Vibration:
 - IEC 68 2-64 (w/ HDD)
 - 1Grms @ sine, 5~500Hz, 1hr/ axis (HDD operating)
 - 2Grms @ sine, 5~500Hz, 1hr/ axis (CFast operating)
 - 2.2Grms @ random condition, 5~500Hz, 0.5hr/axis (non-operating)
- Shock:
 - IEC 68 2-27
 - HDD: 20G@wall mount, half sine, 11ms
- Operating temperature: -5°C to 50°C
- Storage temperature: -20°C to 75°C
- Operating humidity: 10%~90% relative humidity, non-condensing
- Dimension: 329 x 280 x 69.3mm
- Weight: 4Kg

Certifications

- CE approval
- FCC Class A

OS Support Lists

- Windows 8 32bit/64bit
- Windows 7 32bit/64bit
- WinCE 7.0

Ordering Information

Barebone

- **OPPC 1540T (P/N: 90IQ1540T00X0)**
15" TFT XGA 4:3 Fanless Open Frame PC with Intel Atom® E3826 1.46 GHz, Touch Screen, 4GB DDR3L, 3 x USB, 2 x COM and VGA
- **OPPC 1540T-J1900 (P/N: 90IQ1540T02X0)**
15" TFT XGA 4:3 Fanless Open Frame PC with Intel® Celeron™ J1900, 2.0GHz, Touch Screen, 4GB DDR3L, 3 x USB, 2 x COM and VGA

Options

- **12V, 60W AC/DC power adapter w/o power cord (P/N: 7400060031X00)**