

12.1" Industrail Touch Panel PC with Intel® Core® i5-7200U/i3-7100U Processor



Features

- 12.1" XGA LCD Panel with Projected Capacitive / 5 Wired Resistive Touch Display
- Intel® Core® i5-7200U/i3-7100U Processor
- Front Cover IP54 Protection
- Support miniPCle with SIM for 3G/LTE and 1 M.2 A/E Key for WiFi/BT
- Panel and VESA Mounting

Applications

- Human Machine Interface (HMI)
- Factory / Manufacturing Automation
- ATM / Self-service / Kiosk Applications
- Vending Machine / Ticketing Machine

→ Packing List

Description
1 x PPC-127
1 x Power Adapter
1 x Power Cord
6 x Panel Mounting Screws

→ Optional Items

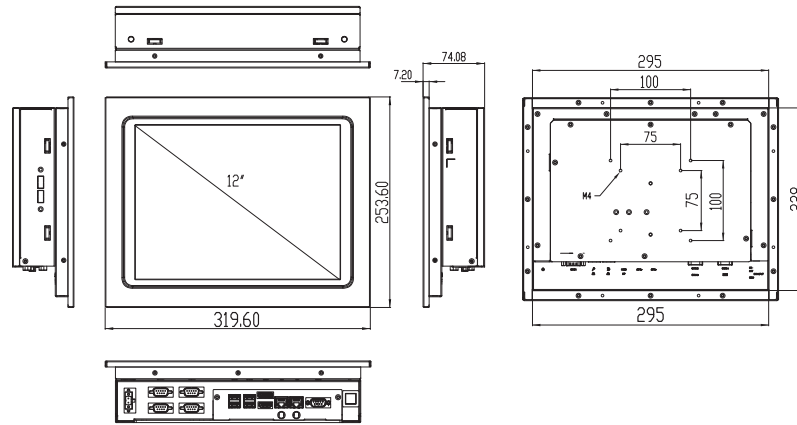
Part No.	Description
AWD-WF001	wifi 802.11 b/g/n (1T1R) + 1 antenna , Half size
AWD-WF003	wifi 802.11 a/b/g/n/ac/BT4.0 (2T2R) + 2 antenna(dual band), Half size
AWD-WF004	wifi 802.11 b/g/n/BT4.0 (1TR) + 2 antenna(dual band), M.2 2230 type
AWD-WF005	wifi 802.11 a/b/g/n/ac/BT4.0 (2T2R) + 2 antenna(dual band), M.2 2230 type
AWD-3G002	3G UC20-G (HSPA+) + 1 antenna, Full size with SIM socket
AWD-4G001	4G(LTE) EC20-E+ 2 antenna, Full size with SIM socket
AWD-4G002	4G(LTE) EC25-J+ 2 antenna, Full size with SIM socket

→ Ordering Information

Part No.	Description
PPC-127P-1A1	12.1" Fanless P-Cap Touch Panel PC with Intel® Core® i5-7200U, 2 DDR4, 2 GbE, 4 USB 3.0, 3 RS-232, 1 RS-232/422/485, 8bits GPIO, line out, mic in, 1 HDMI, 1DP, DC 9~36V, Phoenix Connector
PPC-127P-2A1	12.1" Fanless P-Cap Touch Panel PC with Intel® Core® i3-7100U, 2 DDR4, 2 GbE, 4 USB 3.0, 3 RS-232, 1 RS-232/422/485, 8bits GPIO, line out, mic in, 1 HDMI, 1DP, DC 9~36V, Phoenix Connector
PPC-127R-1A1	12.1" Fanless 5-wire Resistive Touch Panel PC with Intel® Core® i5-7200U, 2 DDR4, 2 GbE, 4 USB 3.0, 3 RS-232, 1 RS-232/422/485, 8bits GPIO, line out, mic in, 1 HDMI, 1DP, DC 9~36V, Phoenix Connector
PPC-127R-2A1	12.1" Fanless 5-wire Resistive Touch Panel PC with Intel® Core® i3-7100U, 2 DDR4, 2 GbE, 4 USB 3.0, 3 RS-232, 1 RS-232/422/485, 8bits GPIO, line out, mic in, 1 HDMI, 1DP, DC 9~36V, Phoenix Connector

PPC-127

→ Dimensions



→ Specifications

Cut out : 297*230 mm

Model		PPC-127P-1A1	PPC-127P-2A1	PPC-127R-1A1	PPC-127R-2A1
Processor System	CPU	Intel® Core® i5-7200U	Intel® Core® i3-7100U	Intel® Core® i5-7200U	Intel® Core® i3-7100U
	Frequency	Dual-Core up to 3.1GHz	Dual-Core up to 2.4GHz	Dual-Core up to 3.1GHz	Dual-Core up to 2.4GHz
	L2 Cache	3 MB			
	System Chipset	N/A			
	BIOS	UEFI			
Memory	Technology	DDR4 2133 MHz SDRAM			
	Max. Capacity	32 GB			
	Socket/ (On Board)	2, (260-pin SO-DIMM)			
Display	Panel Size	12.1" Panel			
	Aspect Ratio	4:3			
	Resolution	1024 x 768 (XGA)			
	Viewing Angle	80 x 80 (H) x 80 x 80 (V)			
	Brightness	300 (cd/m2)			
	Contrast Ratio	600:1			
	VGA / HDMI / DP / DVI	1, DP 1.2, Up to 3840 x 2160 @ 60Hz/ 1, HDMI 2.0a, up to 4096 x 2160 @ 60Hz			
	Multi Display	LCD + DP or LCD + HDMI			
Touchscreen	Touchscreen Type	Projected Capacitive		5-Wire Resistive	
	Surface Hardness	7 Mohs		3 Mohs	
	Durability	-		36 millions times	
	Transparency	90% (±3%)		80% (±3%)	
I/O Interface	USB	4, USB 3.0			
	Serial Port	4, COM (3 RS-232, 1 RS-232/422/485)			
	Digital I/O	1, 8-pin Digital I/O (DB-9 connector)			
	Ethernet	Dual GbE, 10/100/1000 Mbps (Intel i219V, i211AT)			
	Others	-			
Expansion	miniPCIe/ M.2 Slot	1, miniPCIe with SIM, 1, M.2 2230 A/E Key (WiFi & BT)			
	PCI/ PCIe Slot	-			
Audio	Connector	Line out, Mic In, Realtek High Definition Audio (HD)			
Storage	HDD/SSD	1, Internal 2.5" HDD/SSD			
	mSATA/ M.2 / eMMC	Supports 1 M.2 B/M Key 2280			
Power	Power On Model	AT/ATX			
	Power Supply Voltage	Supports 9-36 V DC input			
	Connector Type	2-pin Terminal Block			
	Power Consumption(Typical/Max.)	Typical: 11.8W@12V(0.92A), Max:42.3W@12V(3.53A)			
	Battery	CR2032;3.3V			
Mounting	VESA Mount	'75mmx 75mm; 100mm x 100mm			
	Panel Mount	Cut out 297 x 230 mm mm, Thickness range under 15 mm			
	Others	-			
Environment	Operating Temperature	-20~60° C (-4~140° F) w/ Extended Operation Temp. RAM & 2.5" SSD			
	Storage Temperature	-40~85° C (-40~185° F)			
	Humidity	5~95% @ 40° C, non-condensing			
	Vibration	1 Grms, IEC 60068-2-64, random, 5~500 Hz, 1 Oct/min., 1hr/axis, x, y, z 3 axes			
	Shock	20 G, IEC 60068-2-27, half sine, 11 ms duration			
General	Certification	TBD			
	Thermal Dissipation	Fanless			
	Material, Surface Finish	SECC Front Cover			
	Ingress Protection	Front Cover IP54 Protection			
	Dimensions (L x W x H)	319.6 x 253.6 x 74.08 mm (12.58"x 9.98"x 2.72")			
	Net Weight	3.75kg(8.27lb)			
	Operating System	Windows 10 IoT 64Bit, Linux kernel 4.0.x or above			